

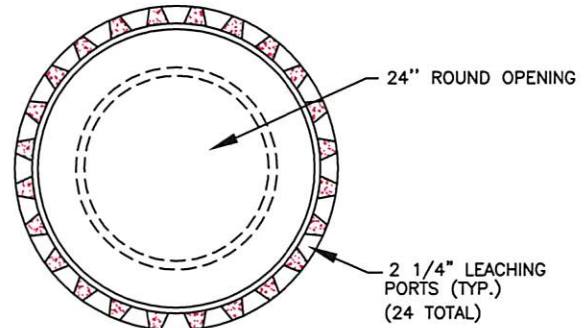
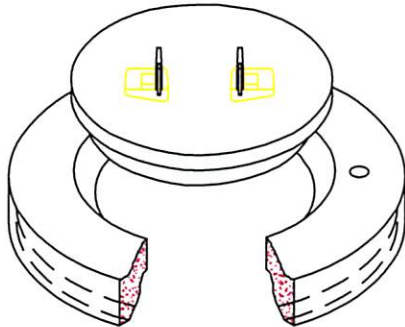


Precast Concrete & Accessories

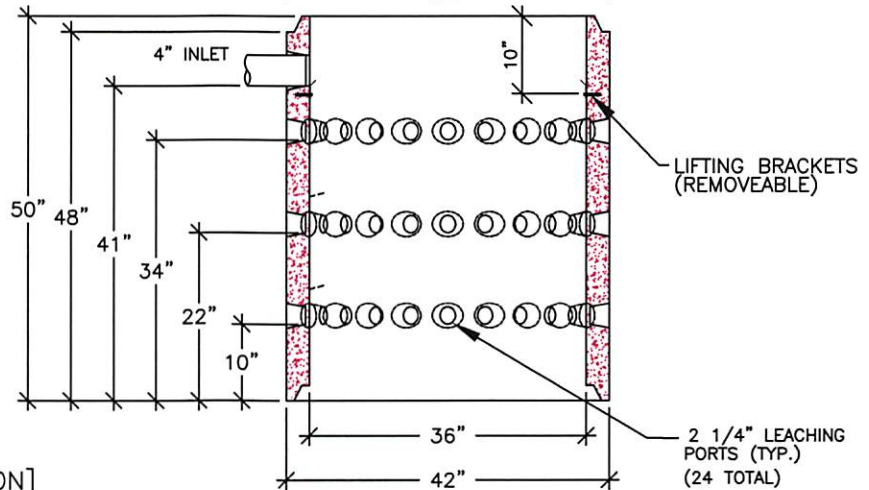
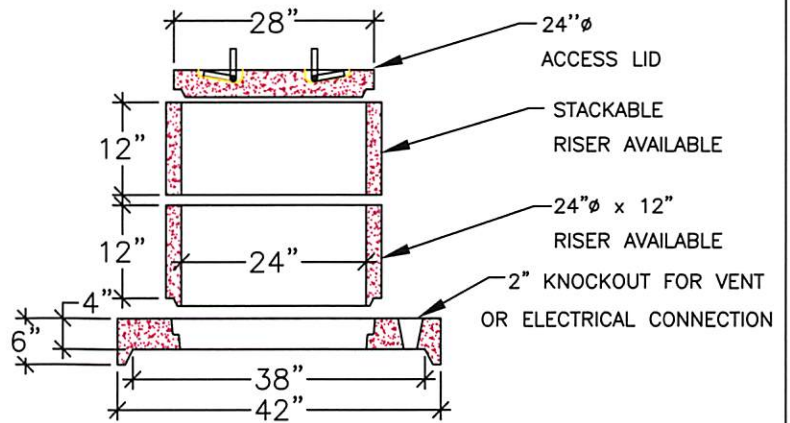
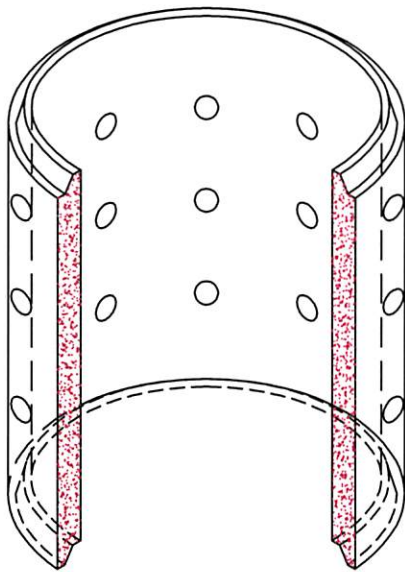
58 Prospect Street, Auburn, N.Y. 13021

315 252 7214 1 800 479 6335

Fax 315 252 7859



PLAN VIEW



NOTES:

- * WEIGHT: 1573 LBS [0.8 TON]
- * 4.41 GALS PER INCH OF RISE
- * MEETS OR EXCEEDS 4000PSI CONCRETE

DRYWELL - 175 GAL

DRAWN BY: LWK

FILE NAME:
DW175

DATE:
10/9/02

SCALE:
3/8 = 1' 0"

SHEET:
DW-3