

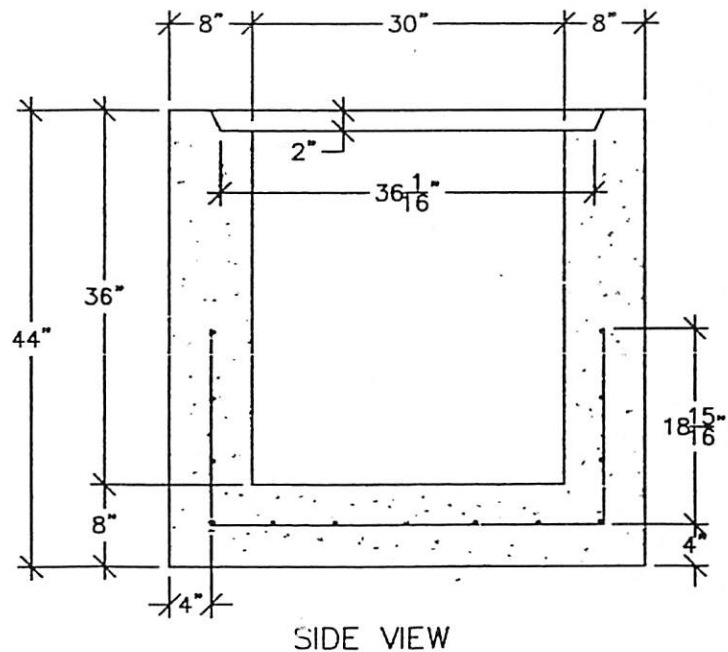
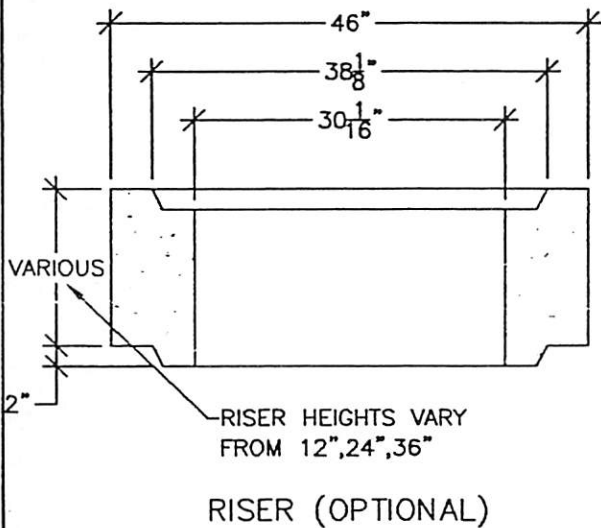
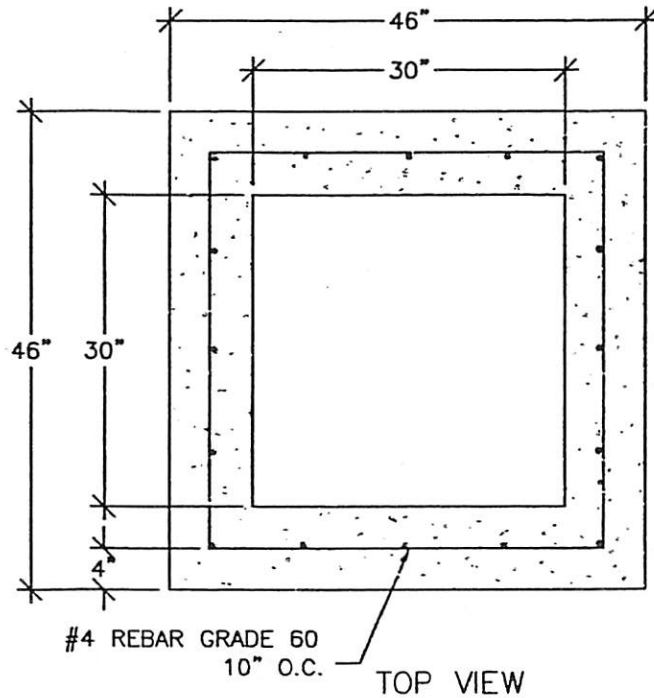
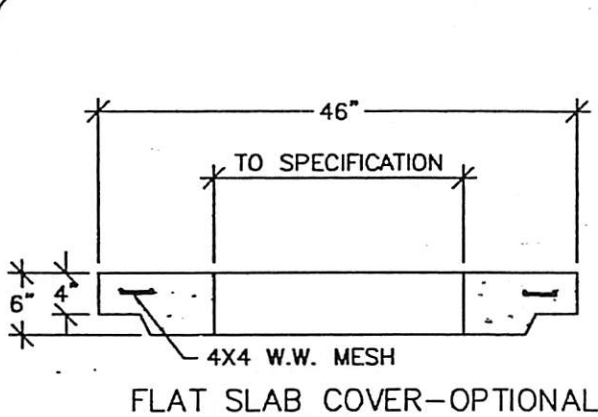


Precast Concrete & Accessories

58 Prospect Street, Auburn, N.Y. 13021

315 252 7214 1 800 470 6325

Fax 315 252 7859



NOTE:
MACHINE CORED TO
RECEIVE SPECIFIED PIPE.
RUBBER BOOT MEETS
ASTM C923 WHEN REQUIRED.

SPECIFICATIONS:
MEETS OR EXCEEDS 5000 PSI CONCRETE
MEETS ASTM C-890
AIR ENTRAINMENT 6%
STEEL MEETS ASTM 615
H-20 LOADING

WEIGHT:
BASE UNIT= 5198LBS.(2.6 TON)
12" RISER= 1249LBS.(.62 TON)
24" RISER= 2499LBS.(1.25 TON)
36" RISER= 3748LBS.(1.87 TON)

CATCH BASIN I.D. 30" X 30"

DRAWN BY: LWK	FILE NAME: CB-3030SOLID	DATE: 9/26/03	SCALE: 3/4= 1' 0"	SHEET: CB-7
---------------	----------------------------	------------------	----------------------	----------------