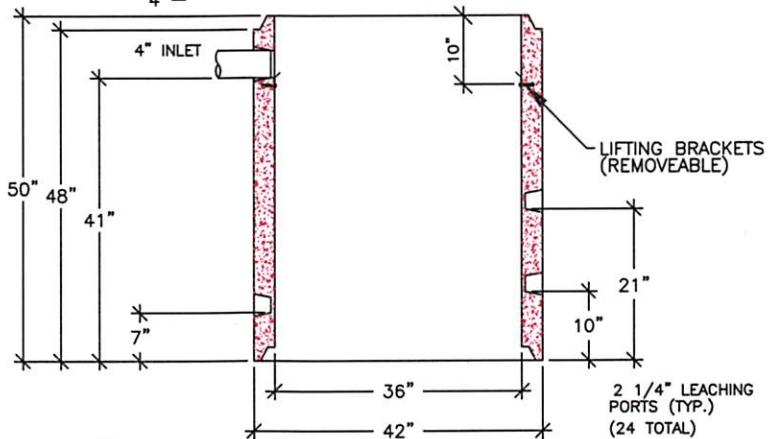
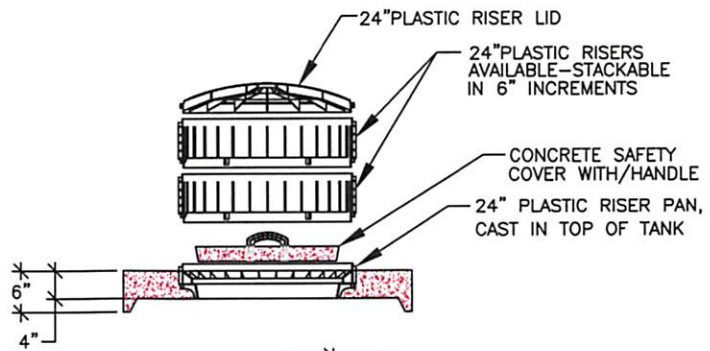
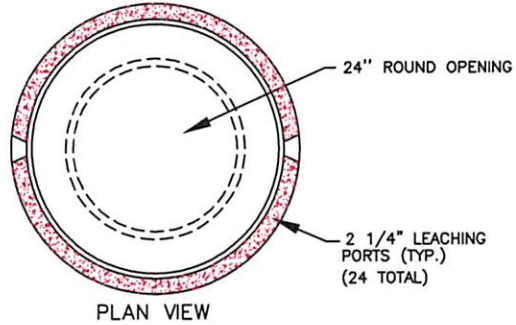
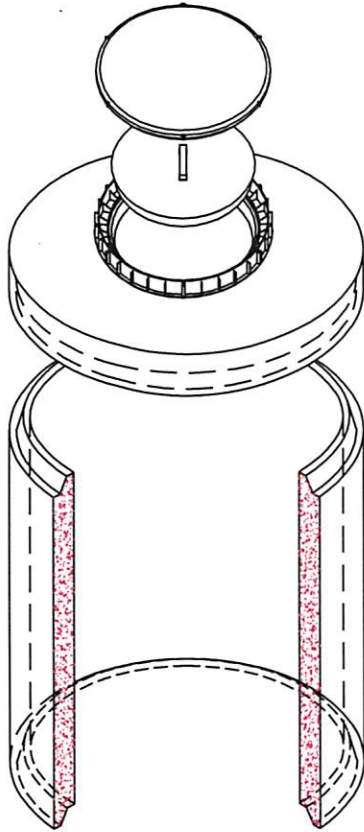




Precast Concrete & Accessories
 58 Prospect Street, Auburn, N.Y. 13021
 315 252 7214 1 800 479 6335
 Fax 315 252 7859



- NOTES:
- WEIGHT: BASE=1510 LBS [0.76 TON]
COVER=474 LBS [0.2 TON]
 - 4.41 GALS PER INCH OF RISE
 - MEETS OR EXCEEDS 5000PSI CONCRETE

WELLTILE - SOLID- NEW COVER

DRAWN BY: LWK

FILE NAME:
WT SOLID NCOV

DATE:
3/16/05

SCALE:
3/8= 1' 0"

SHEET:
WT-3