

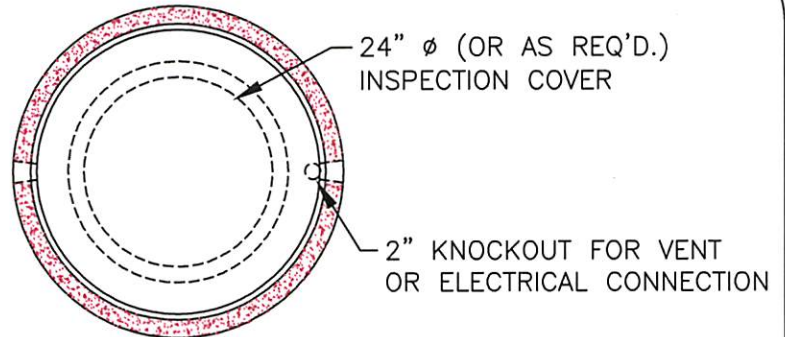
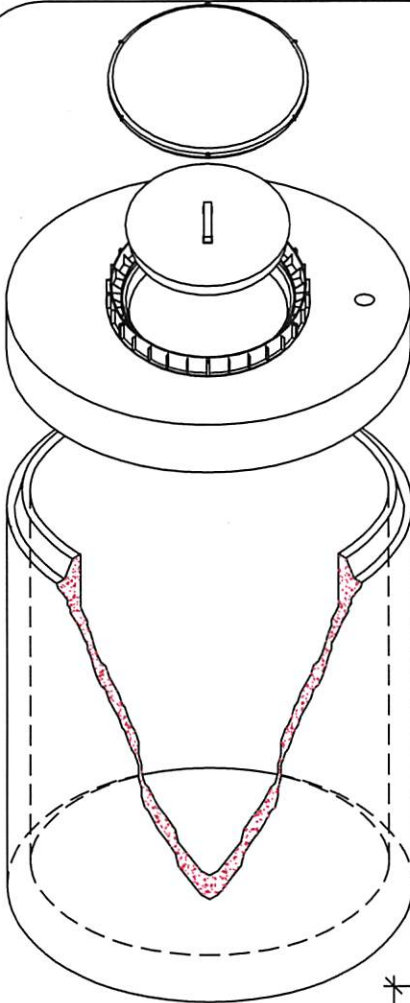


Precast Concrete & Accessories

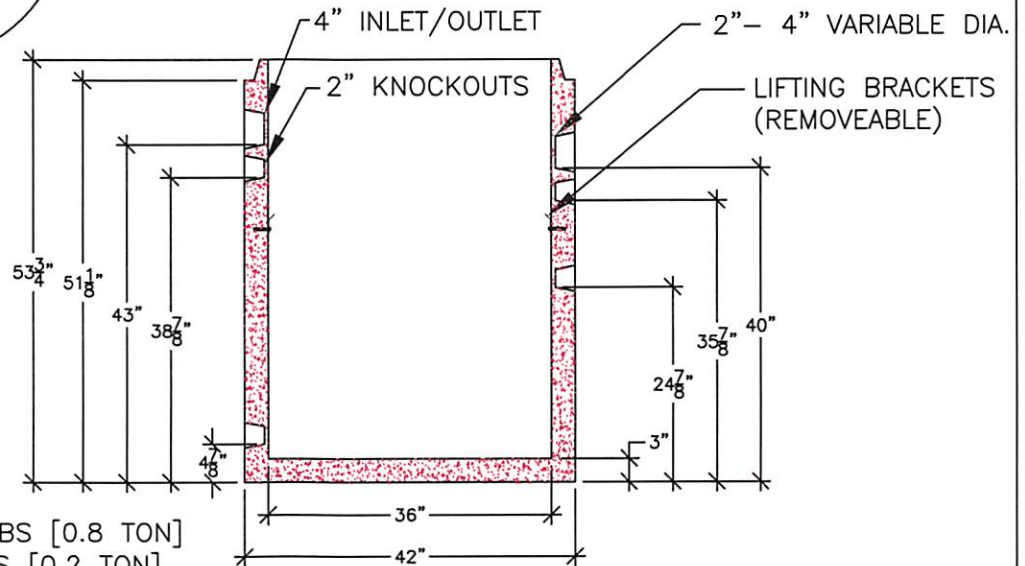
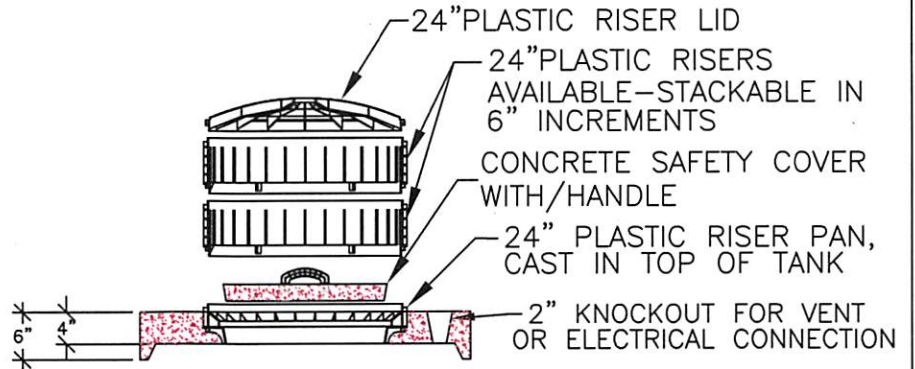
58 Prospect Street, Auburn, N.Y. 13021

315 252 7214 1 800 479 6335

Fax 315 252 7859



PLAN VIEW



SECTION VIEW

NOTES:

* WEIGHT: BASE=1573 LBS [0.8 TON]
COVER=474 LBS [0.2 TON]

* 4.41 GALS PER INCH OF RISE

* MEETS OR EXCEEDS 5000PSI CONCRETE

180 GAL - UTILITY TANK

DRAWN BY: LWK

FILE NAME:
UT-180 NCOV

DATE:
3/29/04

SCALE:
1/2" = 1' 0"

SHEET:
UT-3