



Precast Concrete & Accessories

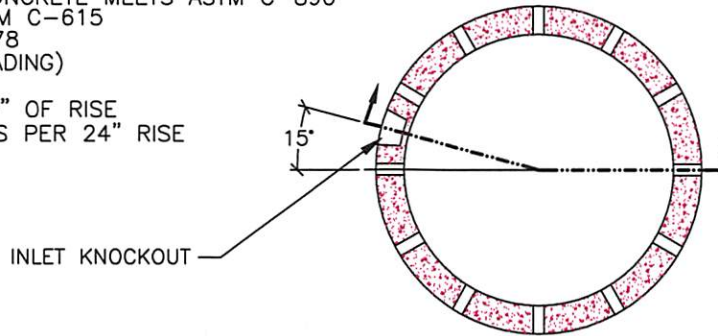
58 Prospect Street, Auburn, N.Y. 13021

315 252 7214 1 800 479 6335

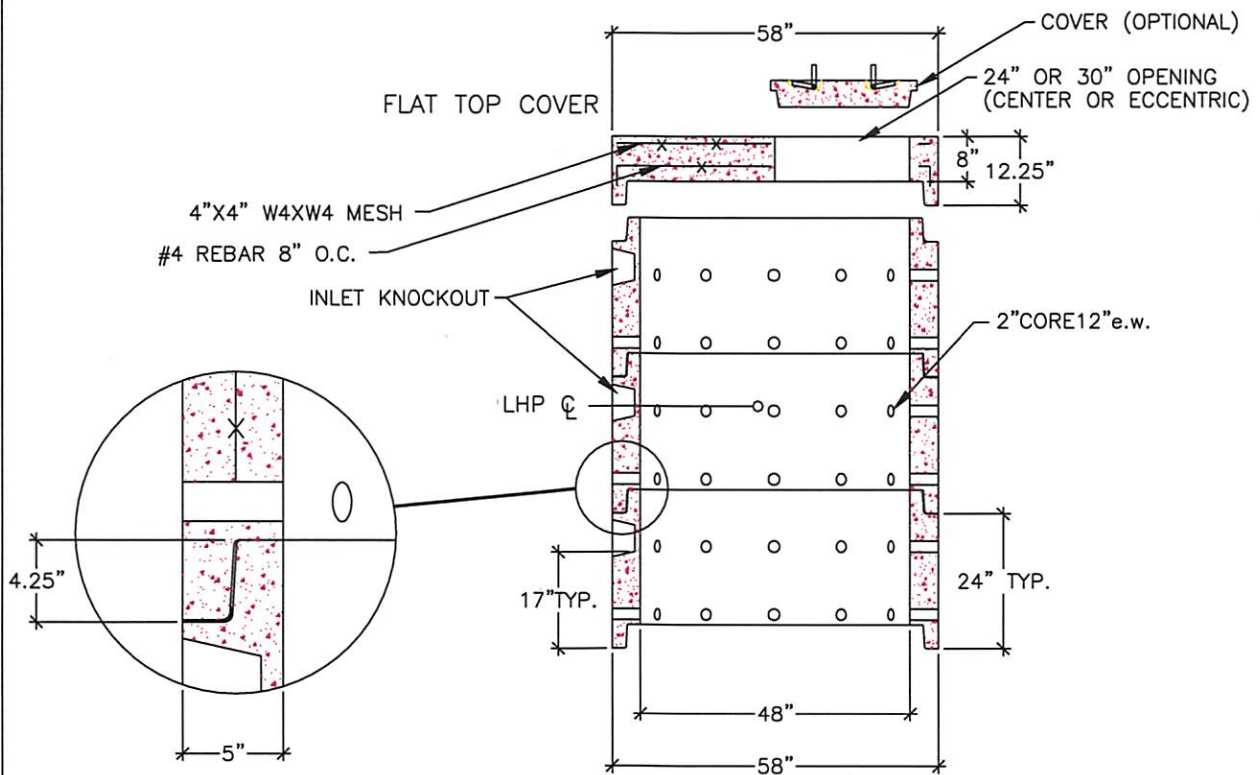
Fax 315 252 7859

SPECIFICATIONS:

MIN. 5000 PSI CONCRETE MEETS ASTM C-890
 STEEL MEETS ASTM C-615
 MEETS ASTM C 478
 TRAFFIC (H20 LOADING)
 25% SEAPAGE
 188 GAL. PER 24" OF RISE
 WEIGHT: 1710 LBS PER 24" RISE



PLAN VIEW



SECTION VIEW

48" I.D. DRYWELL

DRAWN BY: LWK

FILE NAME:
DW-48MH

DATE:
10/15/02

SCALE:
3/8 = 1' 0"

SHEET:
DW-4