



**Precast Concrete & Accessories**

58 Prospect Street, Auburn, N.Y. 13021

315 252 7214 1 800 479 6335

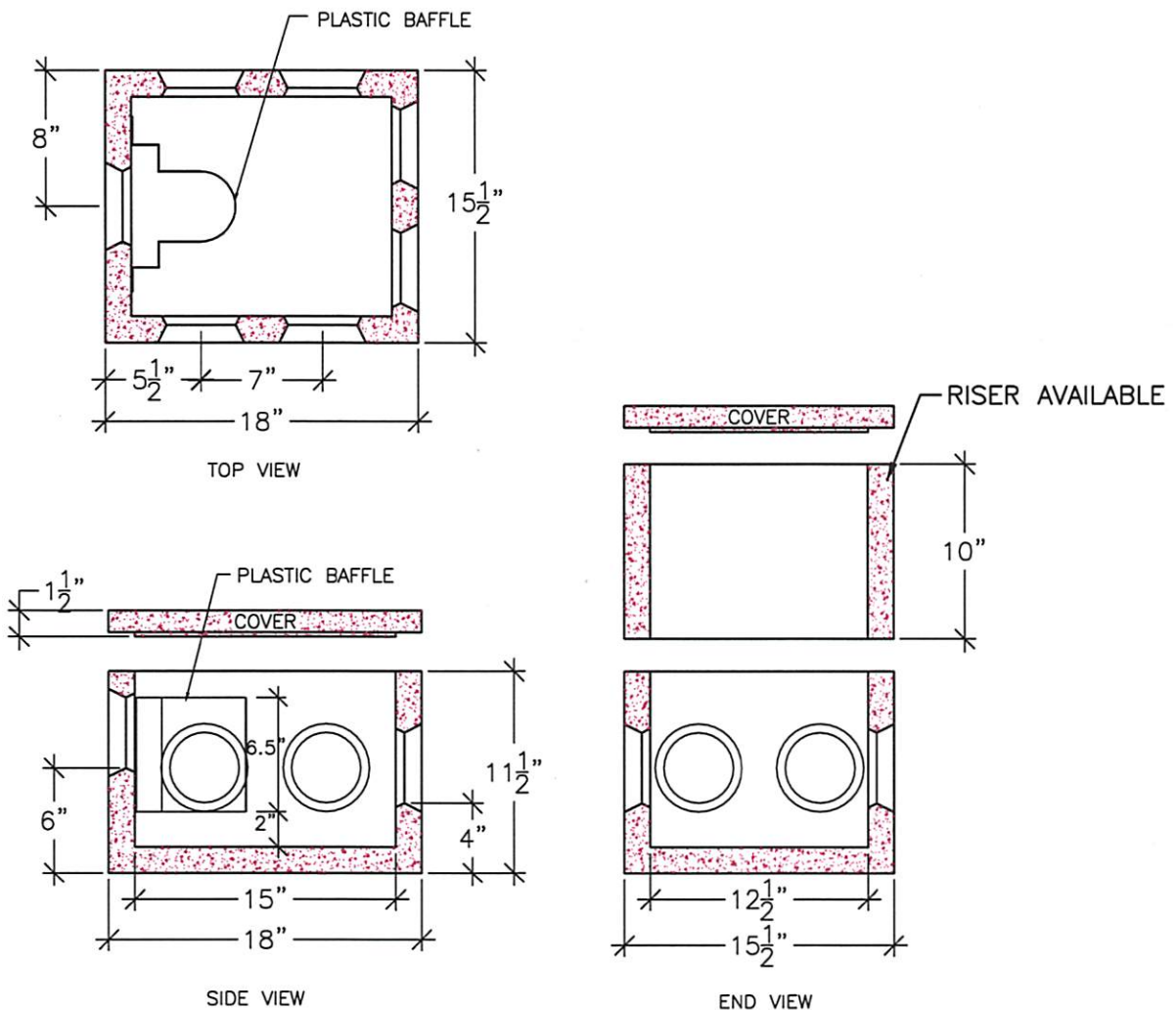
Fax 315 252 7859

**SPECIFICATIONS:**

- MEETS ASTM A-615
- 5000 PSI CONCRETE MEETS
- ASTM C-890
- MEETS ASTM C 478

**WEIGHT:**

- BODY: 104.2 LBS. [.06 TON]
- COVER: 35 LBS. [.02 TON]
- RISER: 78 LBS. [.04 TON]



**6 OUTLET - DISTRIBUTION BOX**

DRAWN BY: LWK	FILE NAME: DB-06	DATE: 8/5/02	SCALE: 1 1/2" = 1' 0"	SHEET: DB-2
---------------	---------------------	-----------------	--------------------------	----------------