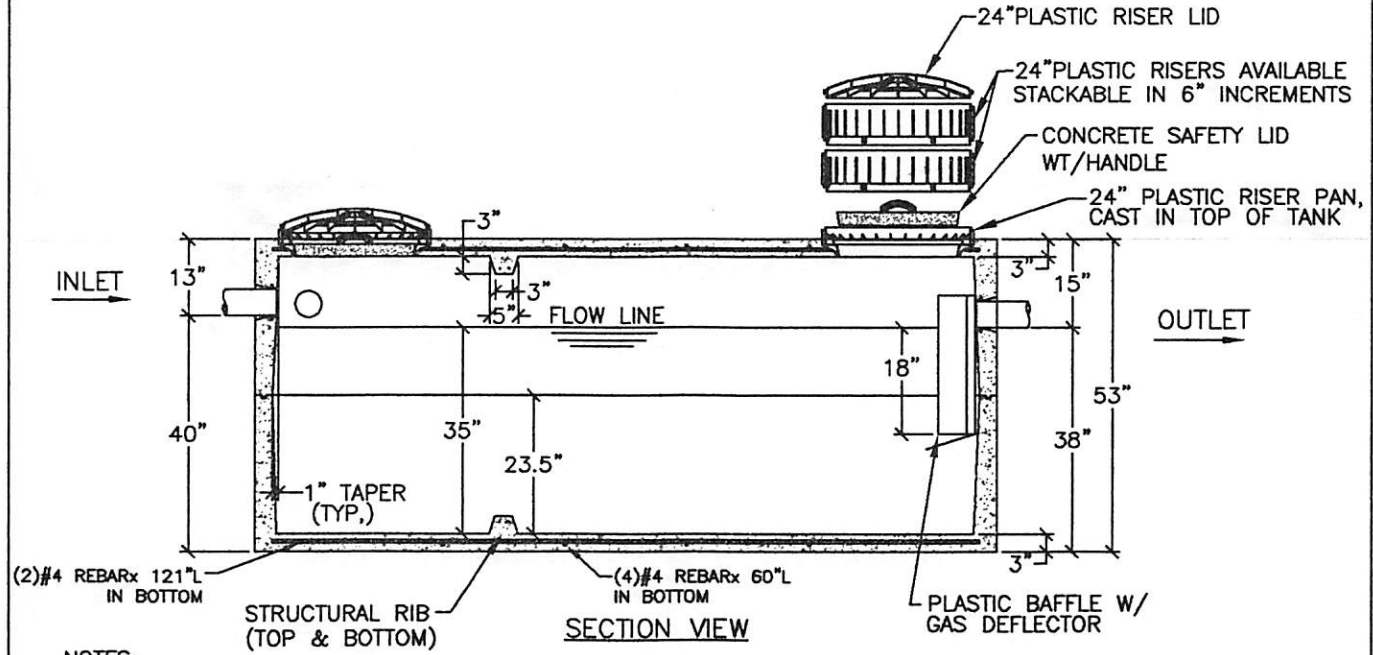
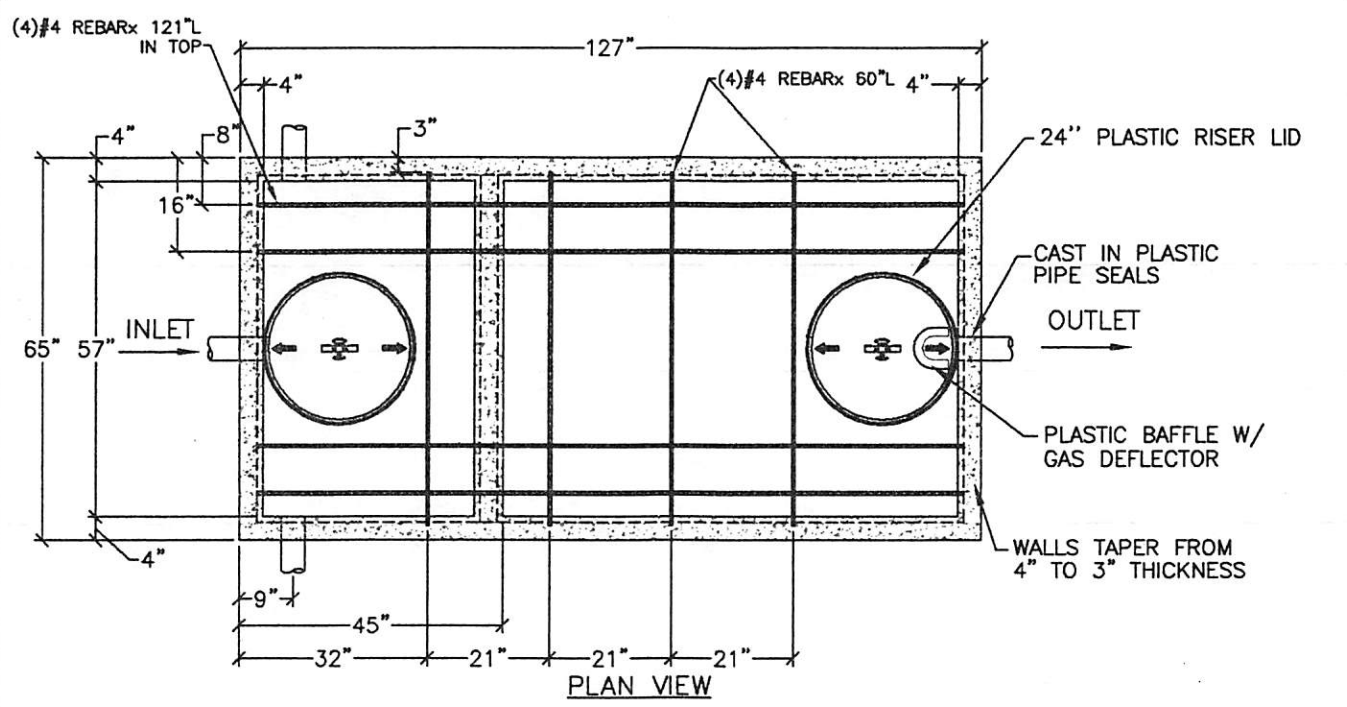




Precast Concrete & Accessories
 58 Prospect Street, Auburn, N.Y. 13021
 315 252 7214 1 800 479 6335
 Fax 315 252 7859



- NOTES:**
- WEIGHT: 10165 LBS [5.1 TON]
 - 29.36 GALS PER INCH OF RISE
 - MEETS OR EXCEEDS 5000PSI CONCRETE

1000 GAL - UTILITY TANK - LOW PROFILE

DRAWN BY: LWK	FILE NAME: UT-1000LB NCOV	DATE: 2/27/04	SCALE: 3/8" = 1' 0"	SHEET: UT-8
----------------------	----------------------------------	----------------------	----------------------------	--------------------