

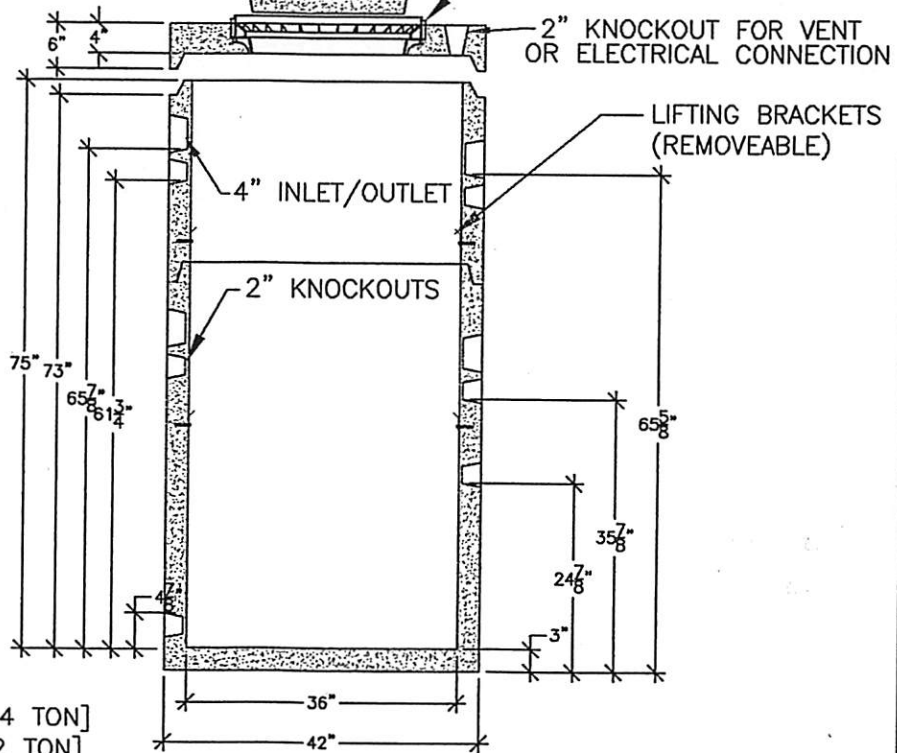
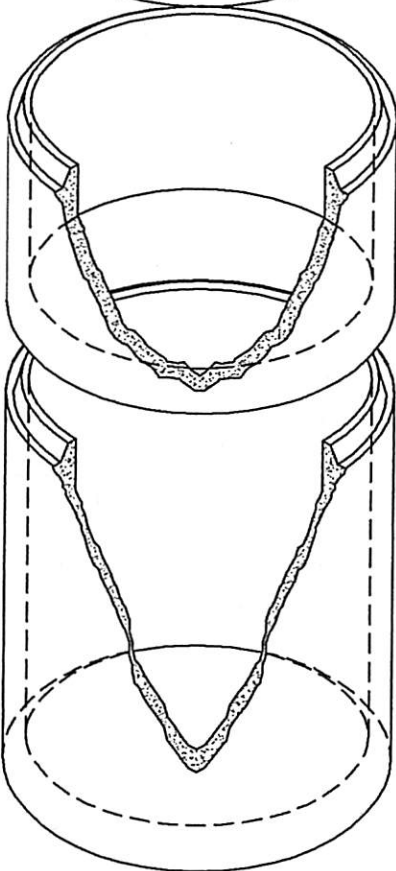
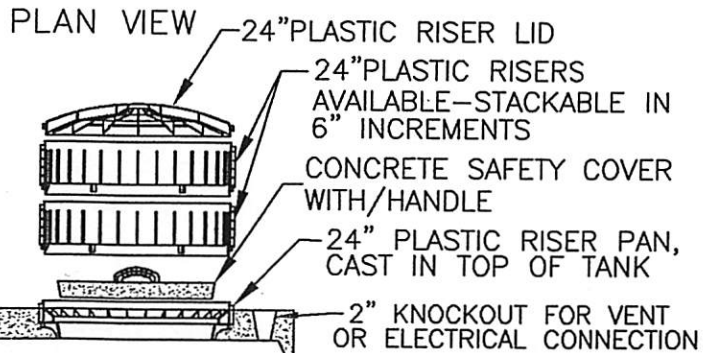
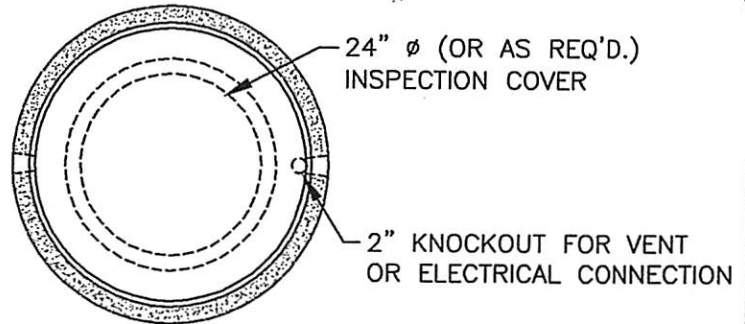
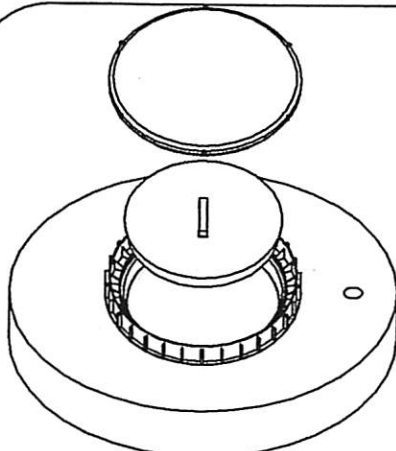


Precast Concrete & Accessories

58 Prospect Street, Auburn, N.Y. 13021

315 252 7214 1 800 479 6335

Fax 315 252 7859



NOTES:

- WEIGHT: BASE=2715 LBS [1.4 TON]
COVER=474 LBS [0.2 TON]
- 4.41 GALS PER INCH OF RISE
- MEETS OR EXCEEDS 5000PSI CONCRETE

SECTION VIEW

275 GAL - UTILITY TANK-WT NEW COVER

DRAWN BY: LWK

FILE NAME:
UT-275 NCOV

DATE:
12/20/04

SCALE:
1/2" = 1' 0"

SHEET:
UT-3