

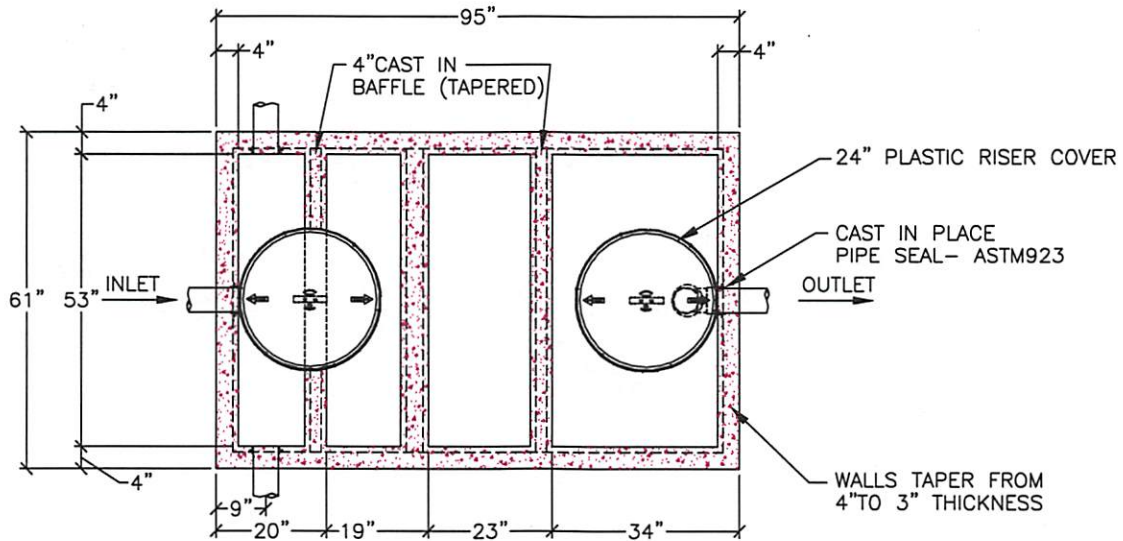


Precast Concrete & Accessories

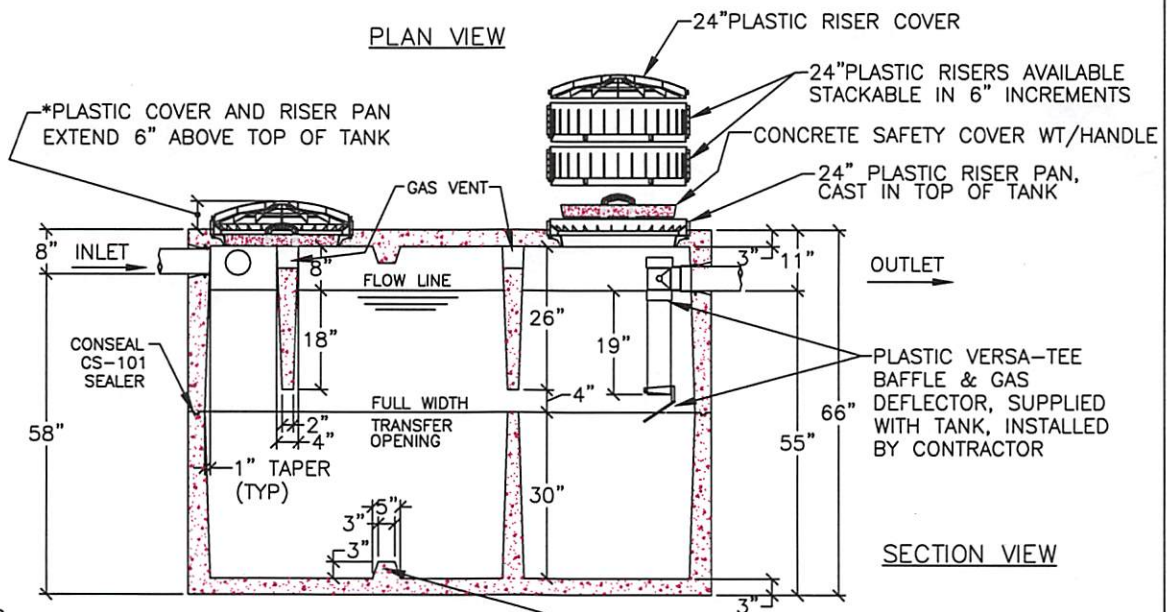
58 Prospect Street, Auburn, N.Y. 13021

315 252 7214 1 800 479 6335

Fax 315 252 7859



PLAN VIEW



SECTION VIEW

NOTES:

- MATERIALS AND MANUFACTURING PER ASTM C1227
- CONCRETE STRENGTH $f'_c = 5000\text{PSI}$ MIN.
- MAXIMUM LIVE LOAD AT SURFACE= 300psf
- MAXIMUM BURIAL DEPTH= 1.5'
- WEIGHT OF ASSEMBLED TANK: 9600 LBS [4.8TON]
- TANK CAPACITY AT FLOW LINE= 1038 GALLONS
- 9.96 GALS PER INCH OF RISE
- CONCRETE CONTAINS FIBRE MESH MEETING ASTM C1116 AT A RATE OF 4 lbs/cy
- JOINTS ARE SEALED WITH BUTYL MASTIC

1000 GAL - TWO COMPARTMENT - SEPTIC TANK

DRAWN BY: LWK

FILE NAME:
ST1000-2 NCOV

DATE:
7/7/04

SCALE:
3/8= 1' 0"

SHEET:
ST- 4