



# Precast Concrete & Accessories

58 Prospect Street, Auburn, N.Y. 13021

315 252 7214 1 800 479 6335

Fax 315 252 7859

**SPECIFICATIONS:**

MEETS OR EXCEEDS 5000 PSI CONCRETE (MEETS ASTM 890)

AIR ENTRAINMENT 6%

STEEL MEETS ASTM A615 GRADE 60

H-20 LOADING

**WEIGHT:**

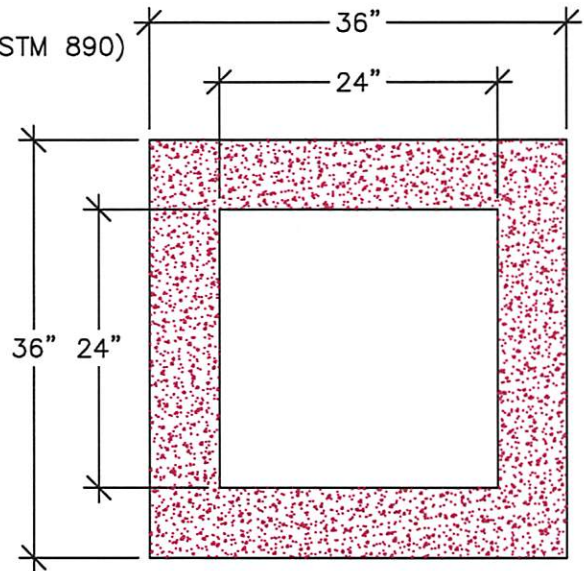
\* PER FOOT OF RISE: 740 LBS. [.37 TON]

\* BASE: 666 LBS. [.33 TON]

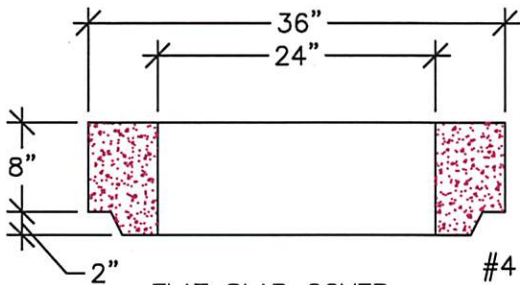
\* COVER: 666 LBS. [.33 TON]

**GALLONS:**

\* 2.49 GALS PER INCH OF RISE



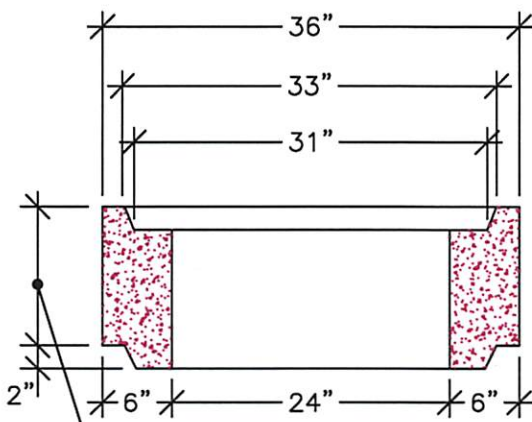
TOP VIEW



FLAT SLAB COVER  
w/24" ACCESS  
(OPTIONAL)

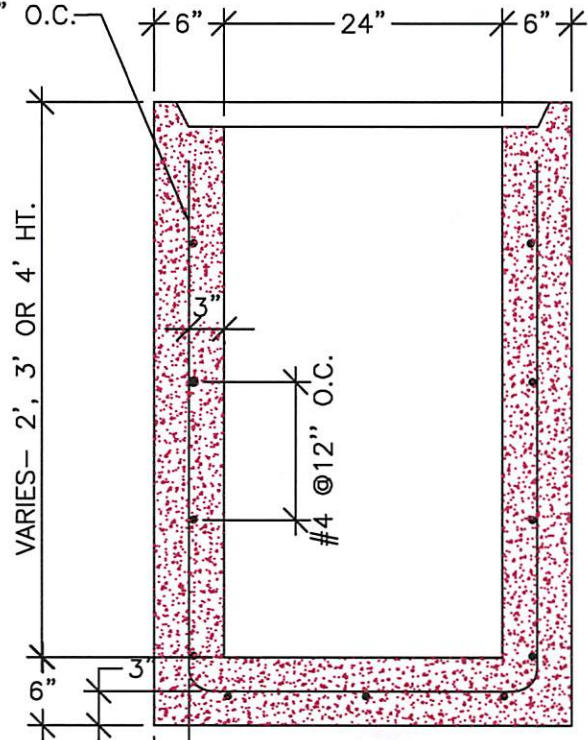
#4 REBAR GRADE 60

12" O.C.



RISER HEIGHTS VARY  
FROM 6", 12", 24", 36", 48"

RISER (OPTIONAL)



SIDE VIEW

## CATCH BASIN I.D. 24" X 24" WITHOUT KNOCKOUTS

DRAWN BY: LWK

FILE NAME:  
CB-2424SOLID

DATE:  
10/15/02

SCALE:  
N.T.S.

SHEET:  
CB-6