

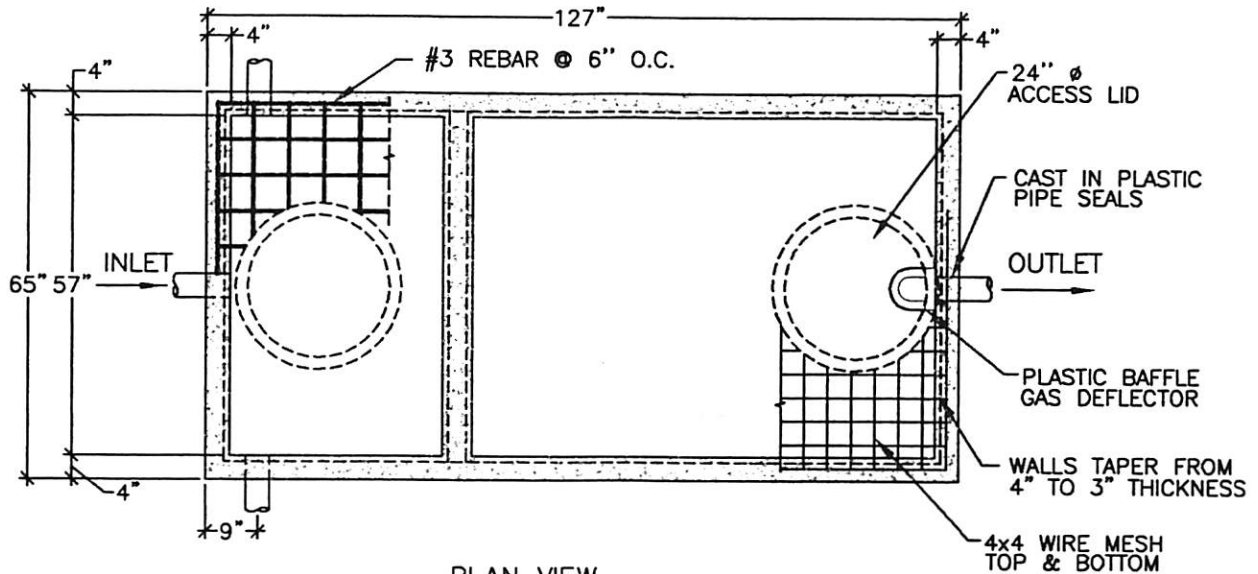


Precast Concrete & Accessories

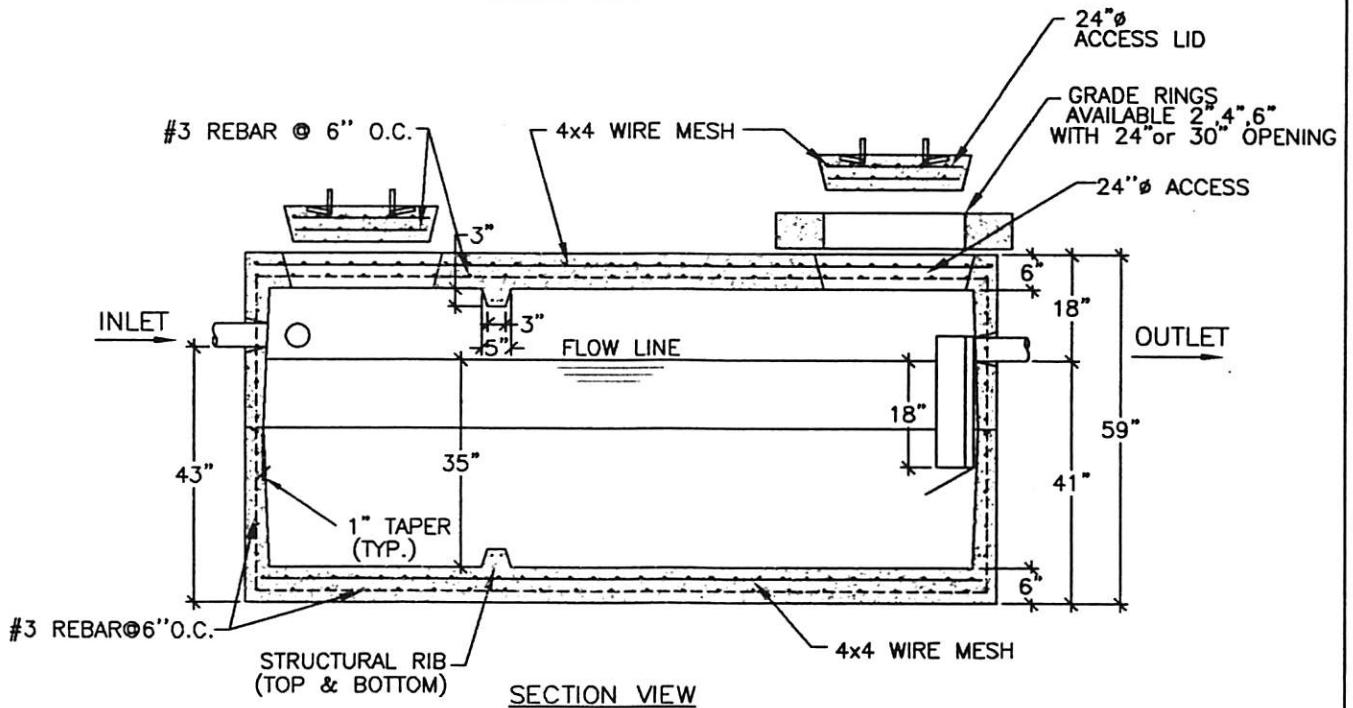
58 Prospect Street, Auburn, N.Y. 13021

315 252 7214 1 800 479 6335

Fax 315 252 7859



PLAN VIEW



SECTION VIEW

NOTES:

- WEIGHT: 14407 LBS [7.2 TON]
- 29.36 GALS PER INCH OF RISE
- MEETS OR EXCEEDS 5000PSI CONCRETE

1000 GAL - UTILITY TANK - LOW PROFILE - TRAFFIC

DRAWN BY: LWK

FILE NAME:
UT-1000LBH20

DATE:
10/14/02

SCALE:
3/8" = 1' 0"

SHEET:
UT-9