



Precast Concrete & Accessories

58 Prospect Street, Auburn, N.Y. 13021

315 252 7214 1 800 479 6335

Fax 315 252 7859

SPECIFICATIONS:

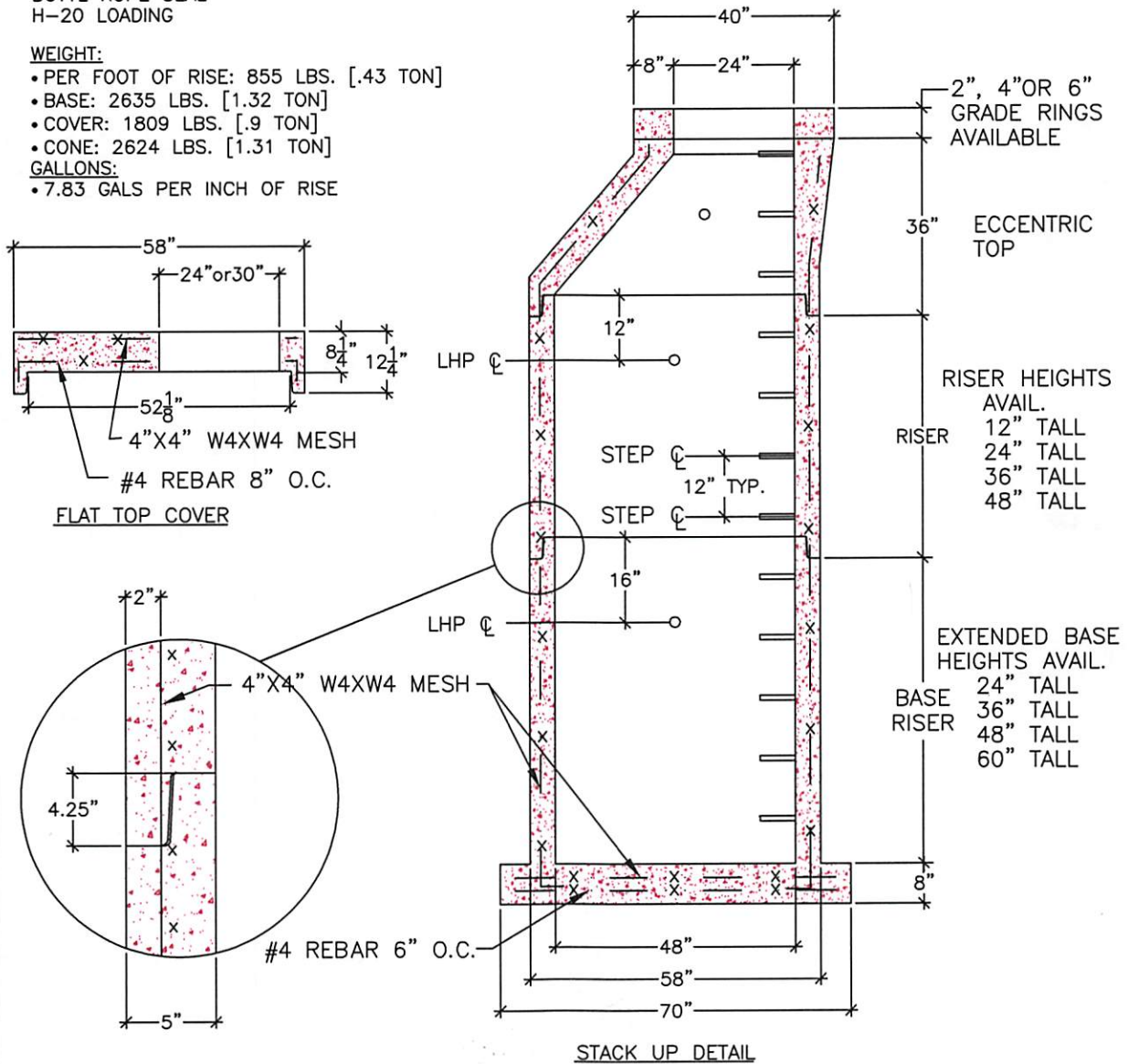
MIN. 5000 PSI CONCRETE MEETS ASTM C-890
 STEEL MEETS ASTM C-615
 POLYPROPYLENE STEPS MEET ASTM C-478-94
 MEETS ASTM C 478
 BUTYL ROPE SEAL
 H-20 LOADING

WEIGHT:

- PER FOOT OF RISE: 855 LBS. [.43 TON]
- BASE: 2635 LBS. [1.32 TON]
- COVER: 1809 LBS. [.9 TON]
- CONE: 2624 LBS. [1.31 TON]

GALLONS:

- 7.83 GALS PER INCH OF RISE



48" I.D. MANHOLE

DRAWN BY: LWK

FILE NAME:
MH-48

DATE:
10/14/02

SCALE:
3/8 = 1' 0"

SHEET:
MH-2