

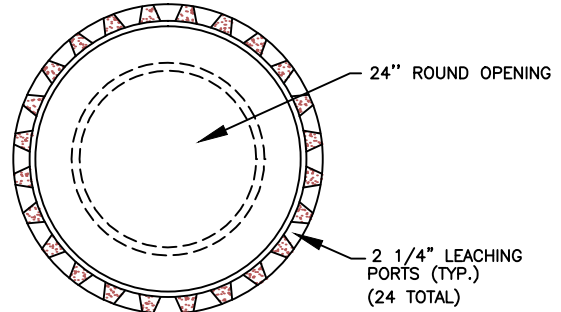
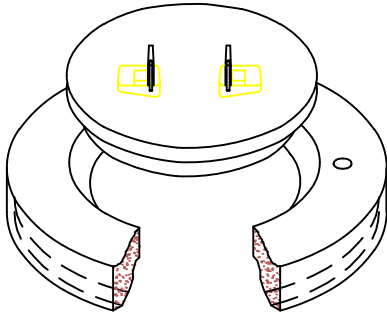


Precast Concrete & Accessories

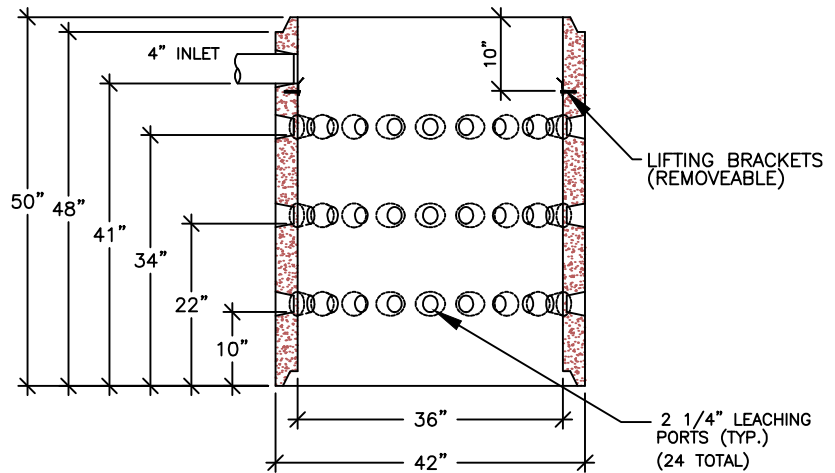
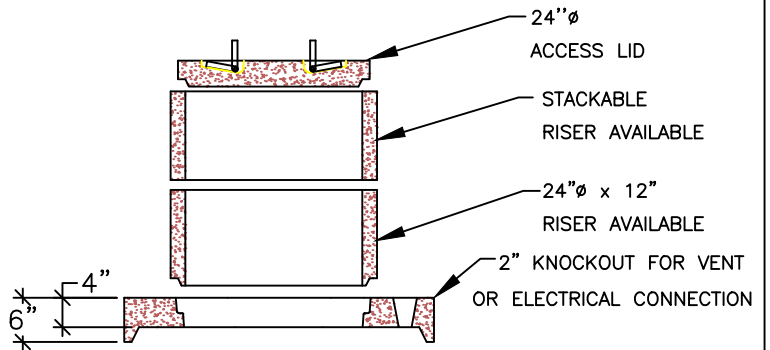
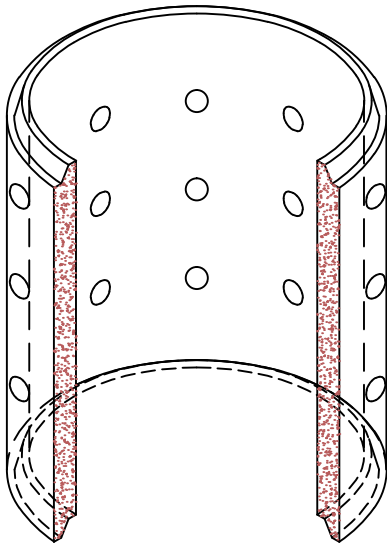
58 Prospect Street, Auburn, N.Y. 13021

315 252 7214 1 800 479 6335

Fax 315 252 7859



PLAN VIEW



NOTES:

- WEIGHT: BASE=1510 LBS [0.76 TON]
COVER=474 LBS [0.2 TON]
- 4.41 GALS PER INCH OF RISE
- MEETS OR EXCEEDS 5000PSI CONCRETE

WELLTILE - PERFORATED

DRAWN BY: LWK

FILE NAME:
WT PERF

DATE:
10/27/03

SCALE:
3/8= 1' 0"

SHEET:
WT-2