

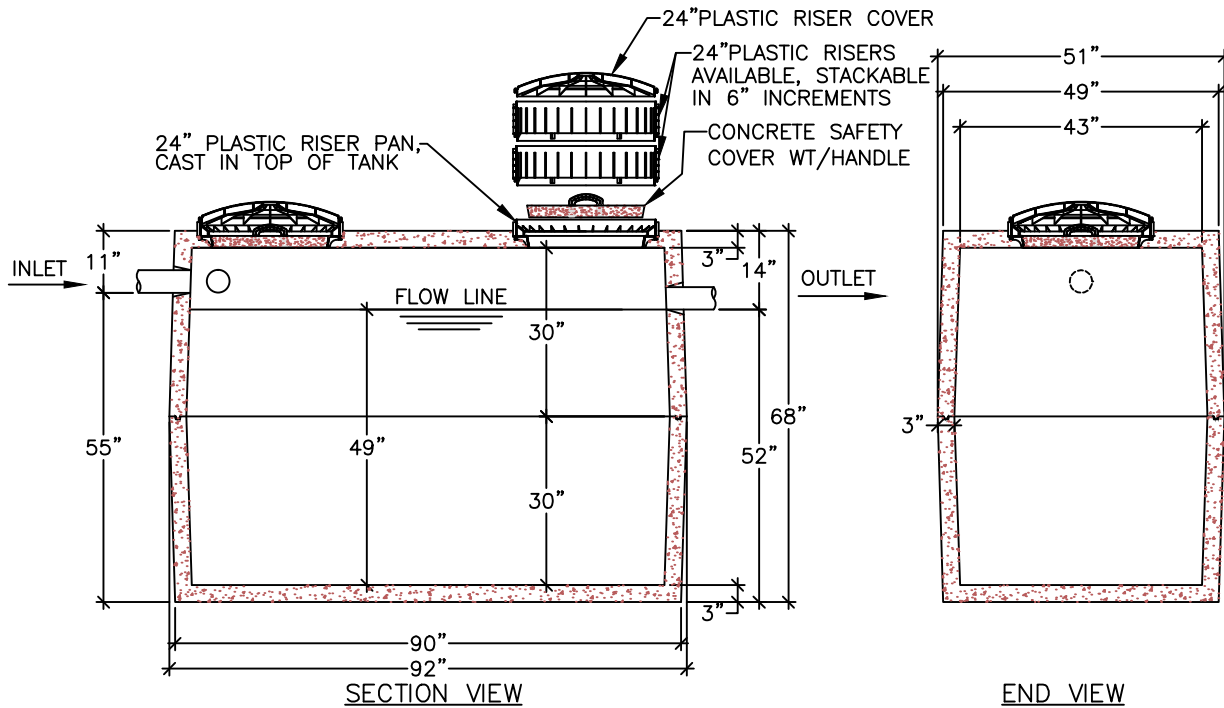
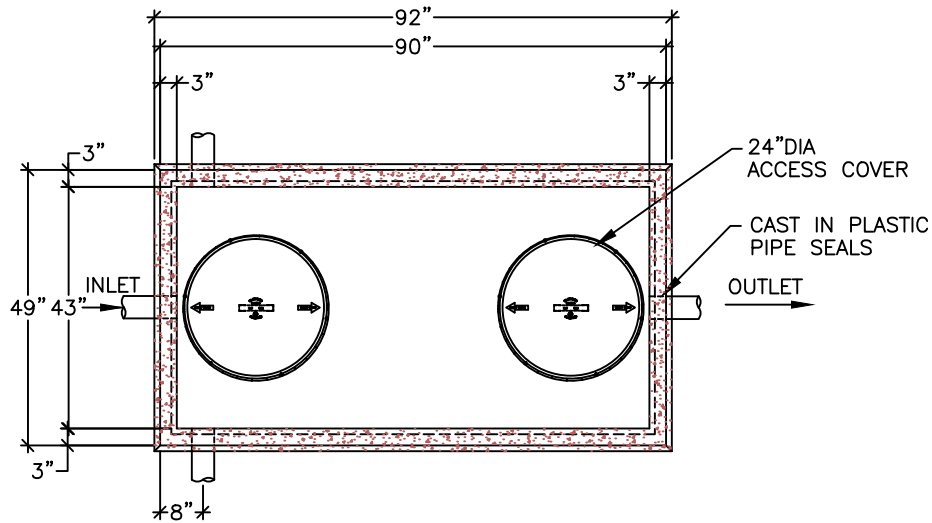


## Precast Concrete & Accessories

58 Prospect Street, Auburn, N.Y. 13021

315 252 7214 1 800 479 6335

Fax 315 252 7859



**NOTES:**

- WEIGHT: 7800 LBS [3.9 TON]
- 15.64 GALS PER INCH OF RISE
- MEETS OR EXCEEDS 5000PSI CONCRETE

## 750 GAL - UTILITY TANK

DRAWN BY: LWK

FILE NAME:  
UT-750 NCOV

DATE:  
5/24/04

SCALE:  
3/8" = 1' 0"

SHEET:  
UT-6