

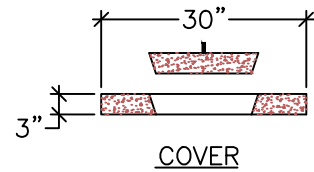
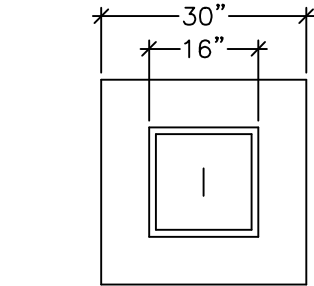
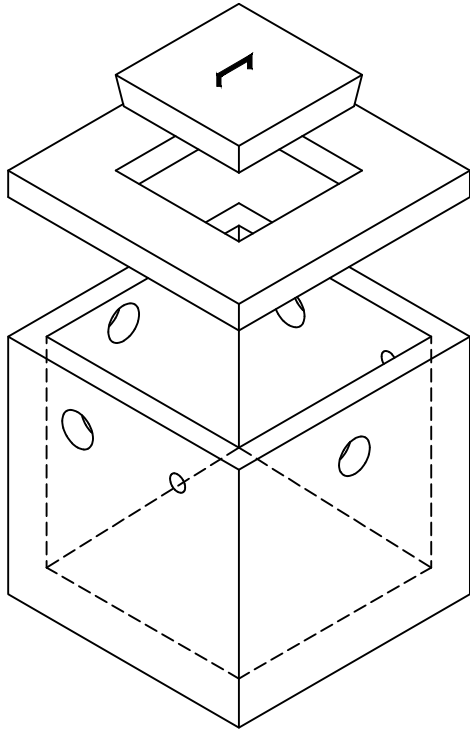


Precast Concrete & Accessories

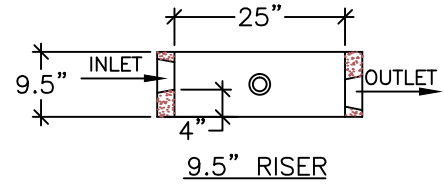
58 Prospect Street, Auburn, N.Y. 13021

315 252 7214 1 800 479 6335

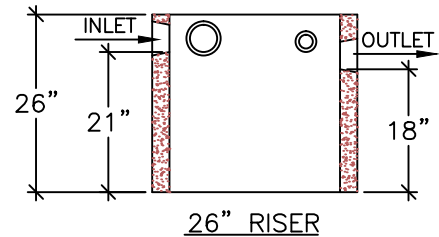
Fax 315 252 7859



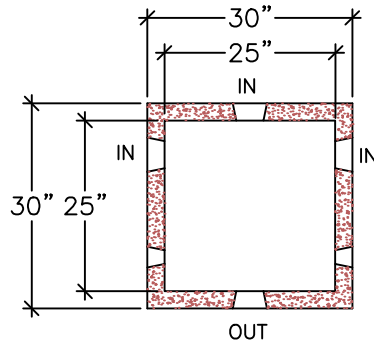
COVER



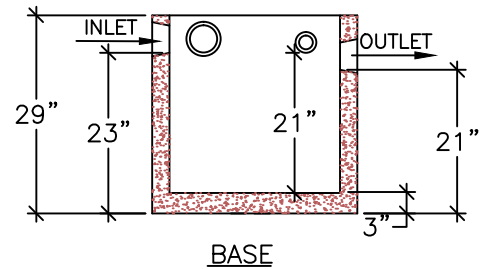
9.5" RISER



26" RISER



TYP. PLAN VIEW



BASE

WEIGHT:

- BASE: 843.5 LBS. [.42 TON]
- COVER: 231 LBS. [.12 TON]
- 26" RISER: 612 LBS. [.31 TON]
- 9.5" RISER: 224 LBS. [.11 TON]

GALLONS:

- 2.71 GALS PER INCH OF RISE

50 GAL - UTILITY TANKS (WITH COVER)

DRAWN BY: LWK

FILE NAME:
UT-50

DATE:
6/11/02

SCALE:
N.T.S.

SHEET:
UT-2