

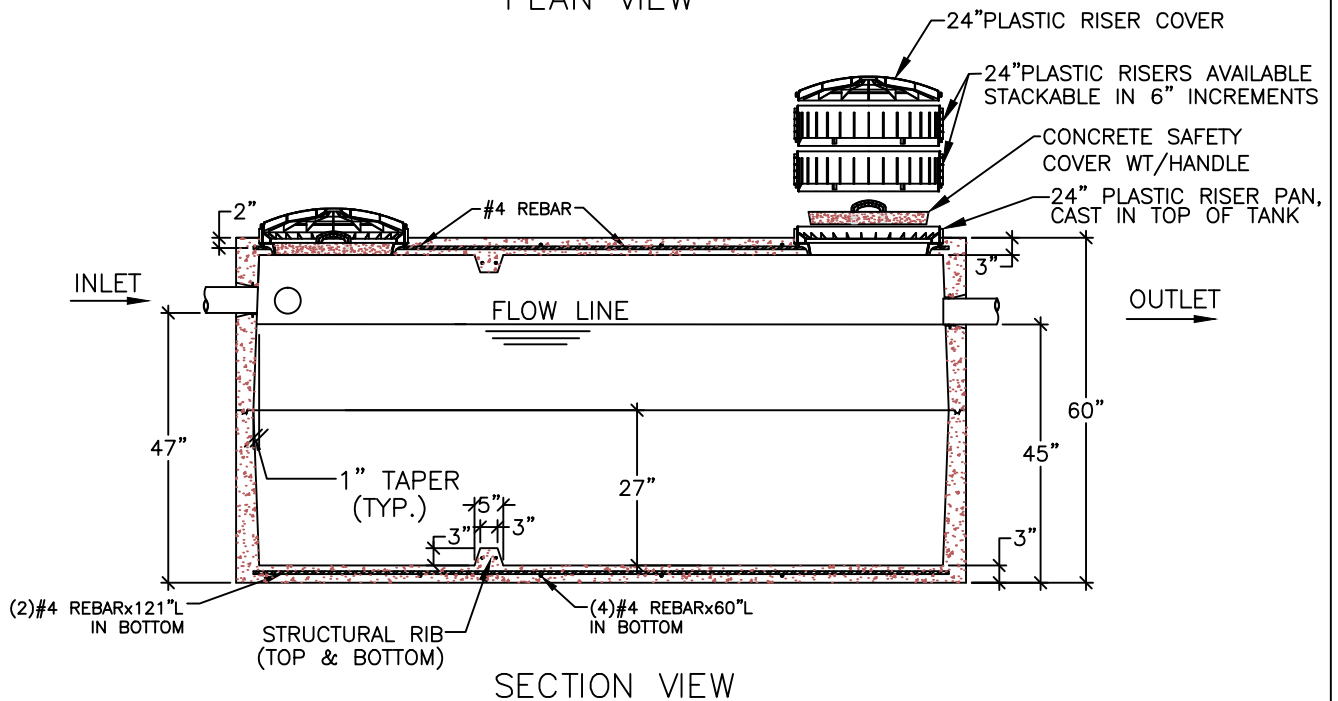
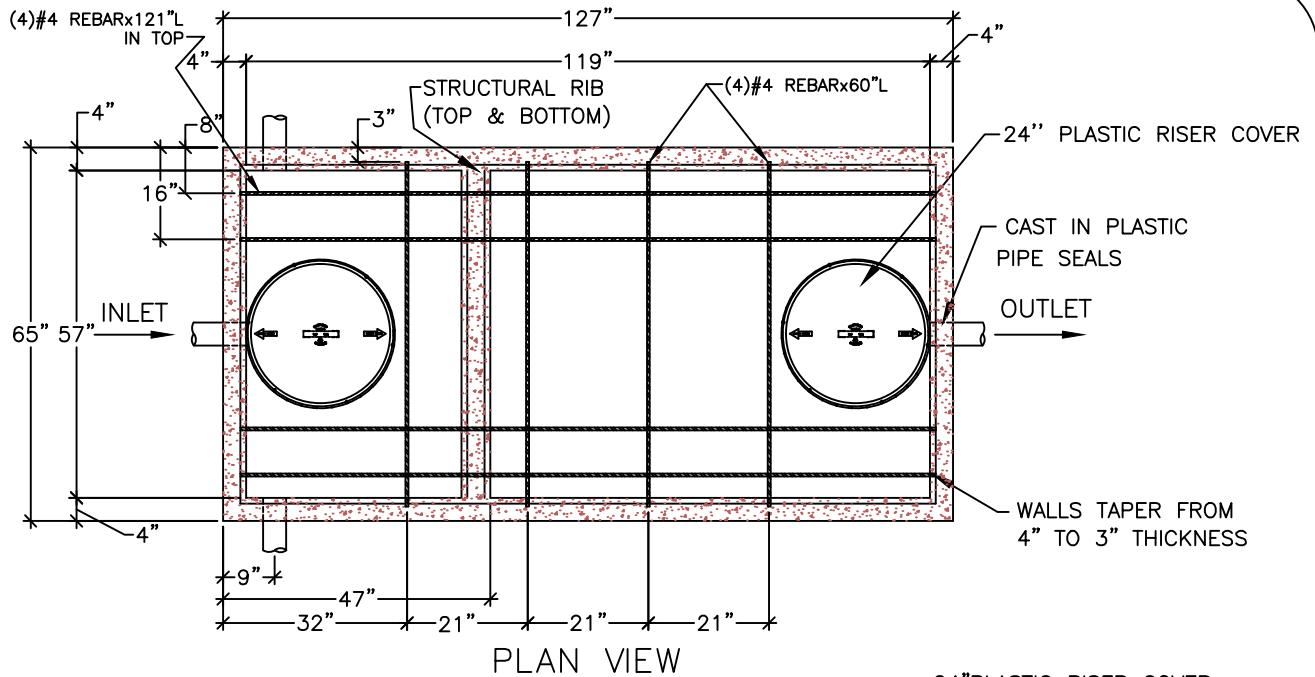


Precast Concrete & Accessories

58 Prospect Street, Auburn, N.Y. 13021

315 252 7214 1 800 479 6335

Fax 315 252 7859



NOTES:

- WEIGHT: 11048 LBS [5.5 TON]
- 29.36 GALS PER INCH OF RISE
- MEETS OR EXCEEDS 5000PSI CONCRETE

1250 GAL - UTILITY TANK

DRAWN BY: LWK

FILE NAME:
UT-1250 NCOV

DATE:
3/29/04

SCALE:
3/8" = 1' 0"

SHEET:
UT-10