

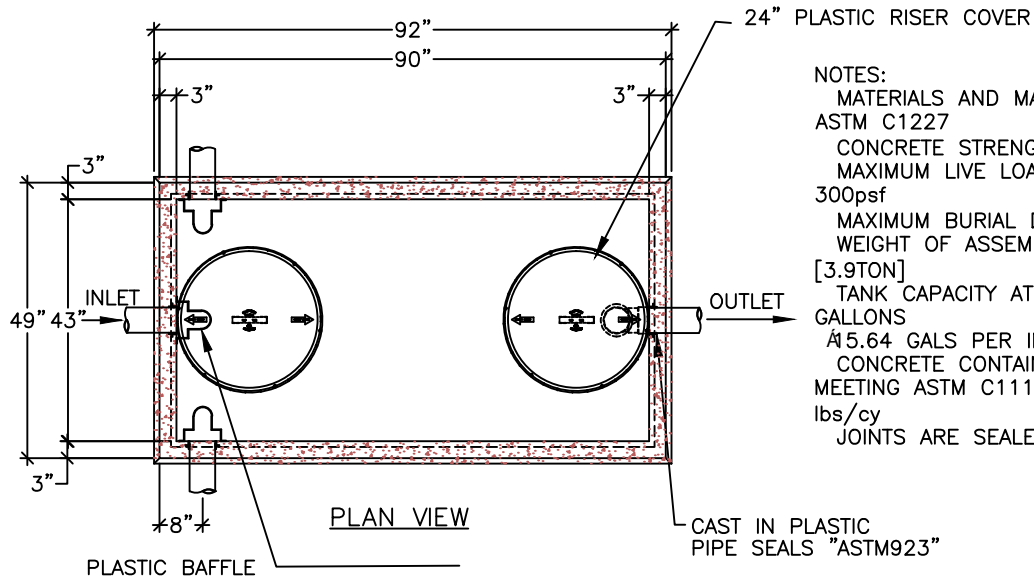


## Precast Concrete & Accessories

58 Prospect Street, Auburn, N.Y. 13021

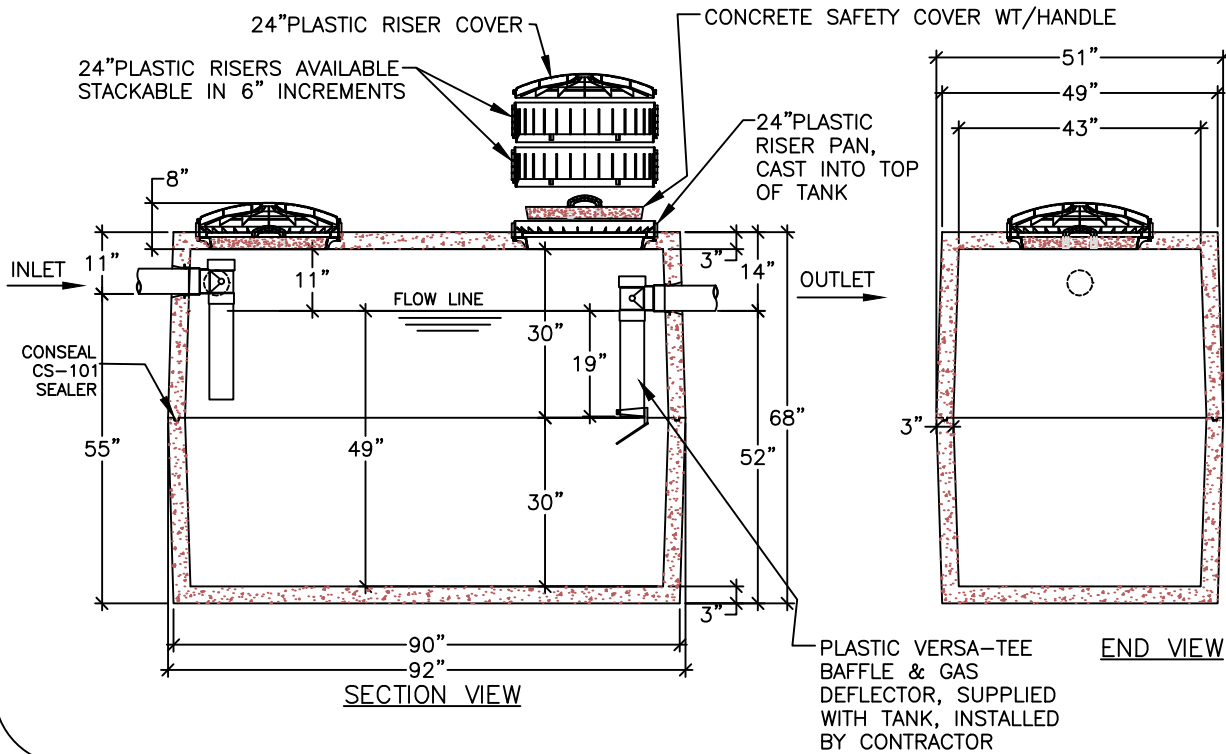
315 252 7214 1 800 479 6335

Fax 315 252 7859



**NOTES:**

- MATERIALS AND MANUFACTURING PER ASTM C1227
- CONCRETE STRENGTH  $f'_c = 5000\text{PSI}$  MIN.
- MAXIMUM LIVE LOAD AT SURFACE = 300psf
- MAXIMUM BURIAL DEPTH = 1.5'
- WEIGHT OF ASSEMBLED TANK: 7800 LBS [3.9TON]
- TANK CAPACITY AT FLOW LINE = 766 GALLONS
- 15.64 GALS PER INCH OF RISE
- CONCRETE CONTAINS FIBRE MESH MEETING ASTM C1116 AT A RATE OF 4 lbs/cy
- JOINTS ARE SEALED WITH BUTYL MASTIC



## 750 GAL - SEPTIC TANK

DRAWN BY: LWK

FILE NAME:  
ST-750 NCOV

DATE:  
7/7/04

SCALE:  
3/8" = 1' 0"

SHEET:  
ST-3