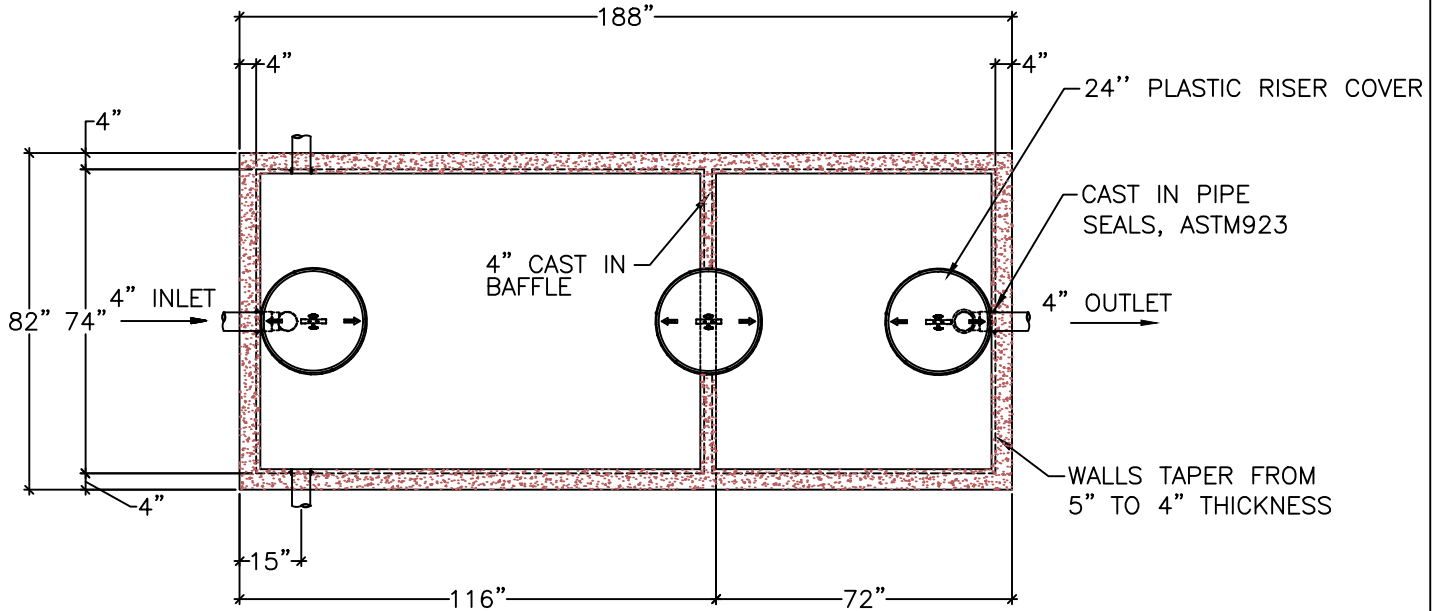


Precast Concrete & Accessories

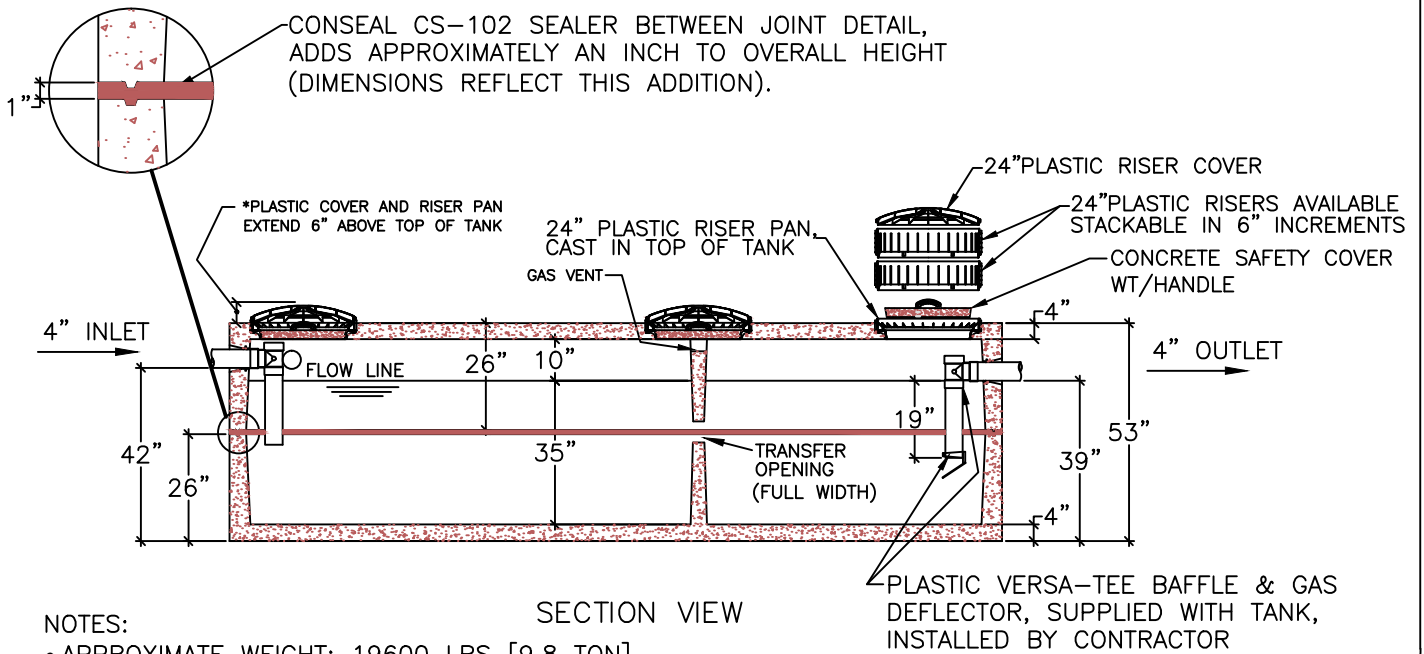
58 Prospect Street, Auburn, N.Y. 13021

315 252 7214 1 800 479 6335

Fax 315 252 7859



PLAN VIEW



SECTION VIEW

NOTES:

- APPROXIMATE WEIGHT: 19600 LBS [9.8 TON]
- 57.66 GALS PER INCH OF RISE
- MEETS OR EXCEEDS 5000PSI CONCRETE

2000 GAL - SEPTIC TANK

DRAWN BY: LWK

FILE NAME:
ST-2000 NCOV

DATE:
5/5/04

SCALE:
1/4" = 1' 0"

SHEET:
ST-11