



Precast Concrete & Accessories

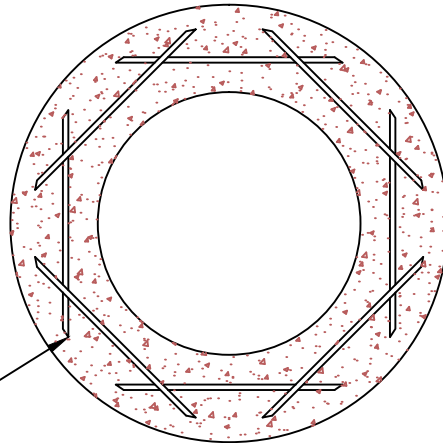
58 Prospect Street, Auburn, N.Y. 13021
 315 252 7214 1 800 479 6335
 Fax 315 252 7859

SPECIFICATIONS:

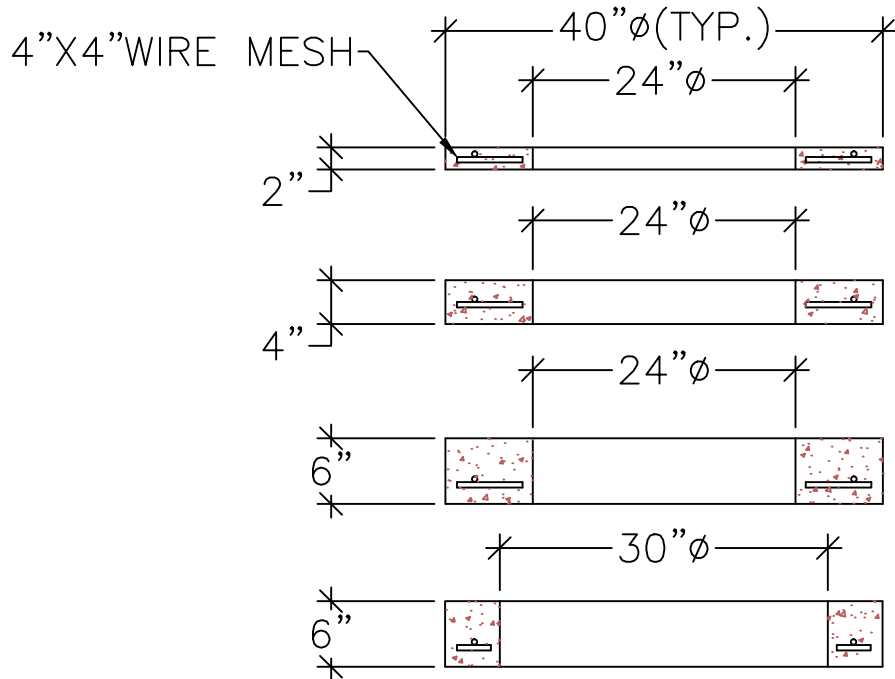
MEETS OR EXCEEDS 5000 PSI CONCRETE (MEETS ASTM 890)
 AIR ENTRAINMENT 6%
 H-20 LOADING

WEIGHT:

- 2" WITH 24" OPENING= 138LBS.(.06 TON)
- 2" WITH 30" OPENING= 94LBS.(.04 TON)
- 4" WITH 24" OPENING= 275LBS.(.14 TON)
- 4" WITH 30" OPENING= 188LBS.(.09 TON)
- 6" WITH 24" OPENING= 413LBS.(.20 TON)
- 6" WITH 30" OPENING= 282LBS.(.14 TON)



#4 REBAR
 GRADE 60 STEEL
 IN 4",6" RINGS



GRADE RINGS 2" or 4" or 6"

DRAWN BY: LWK

FILE NAME:
 GRADE RINGS

DATE:
 10/14/02

SCALE:
 3/8= 1' 0"

SHEET:
 GR-1