

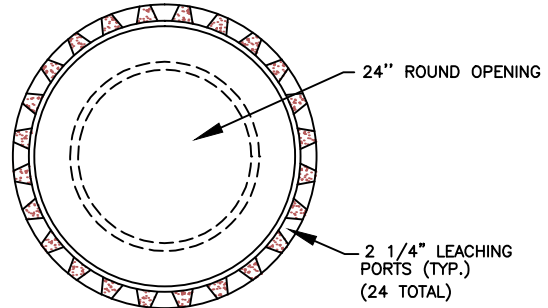
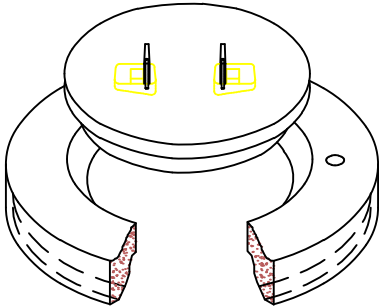


# Precast Concrete & Accessories

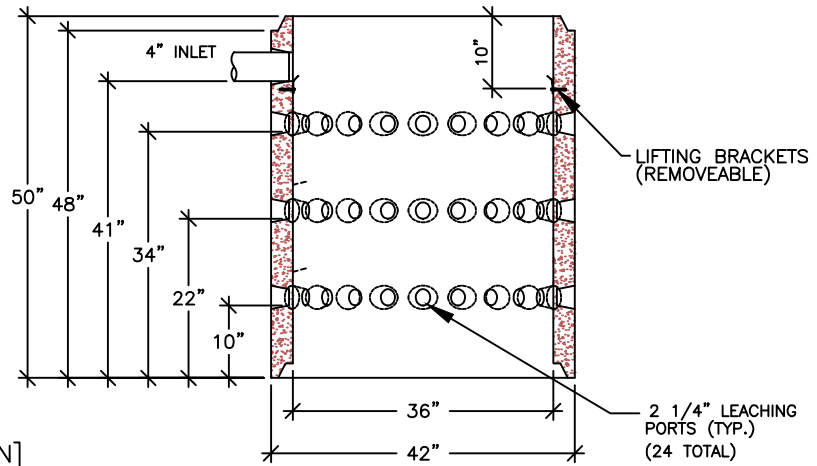
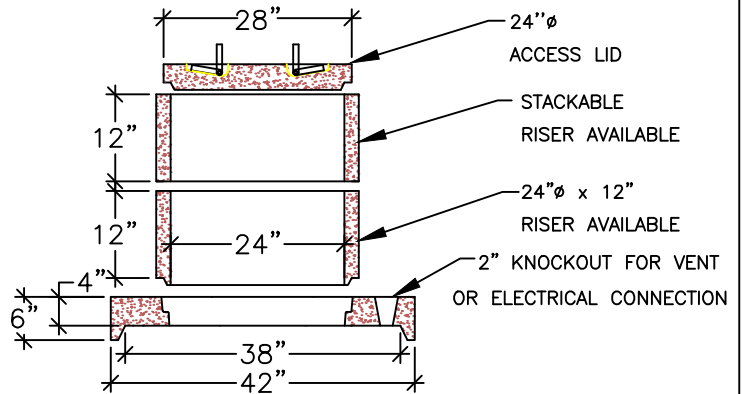
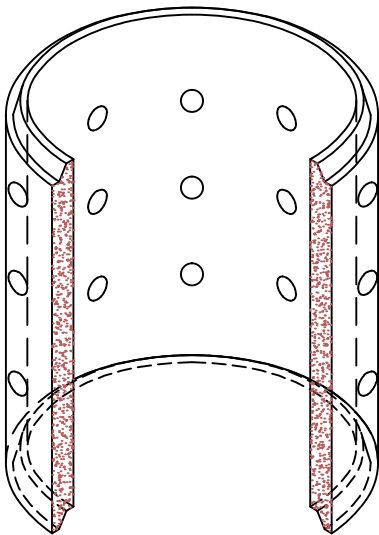
58 Prospect Street, Auburn, N.Y. 13021

315 252 7214 1 800 479 6335

Fax 315 252 7859



PLAN VIEW



**NOTES:**

- WEIGHT: 1573 LBS [0.8 TON]
- 4.41 GALS PER INCH OF RISE
- MEETS OR EXCEEDS 4000PSI CONCRETE

## DRYWELL - 175 GAL

DRAWN BY: LWK

FILE NAME:  
DW175

DATE:  
10/9/02

SCALE:  
3/8= 1' 0"

SHEET:  
DW-3