

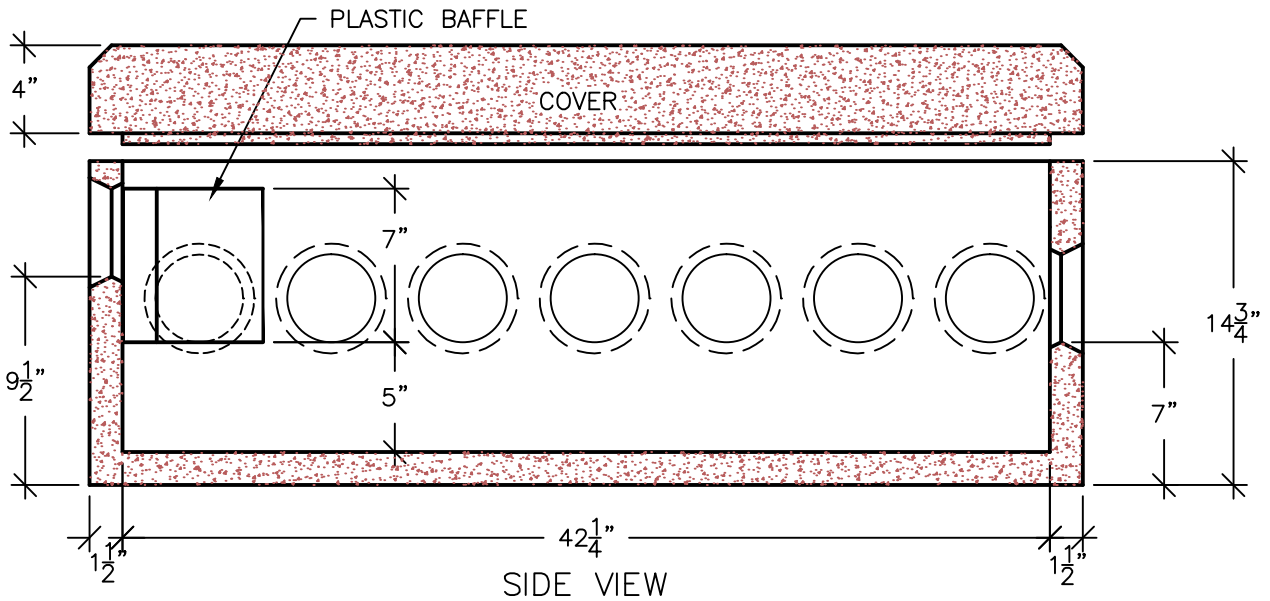
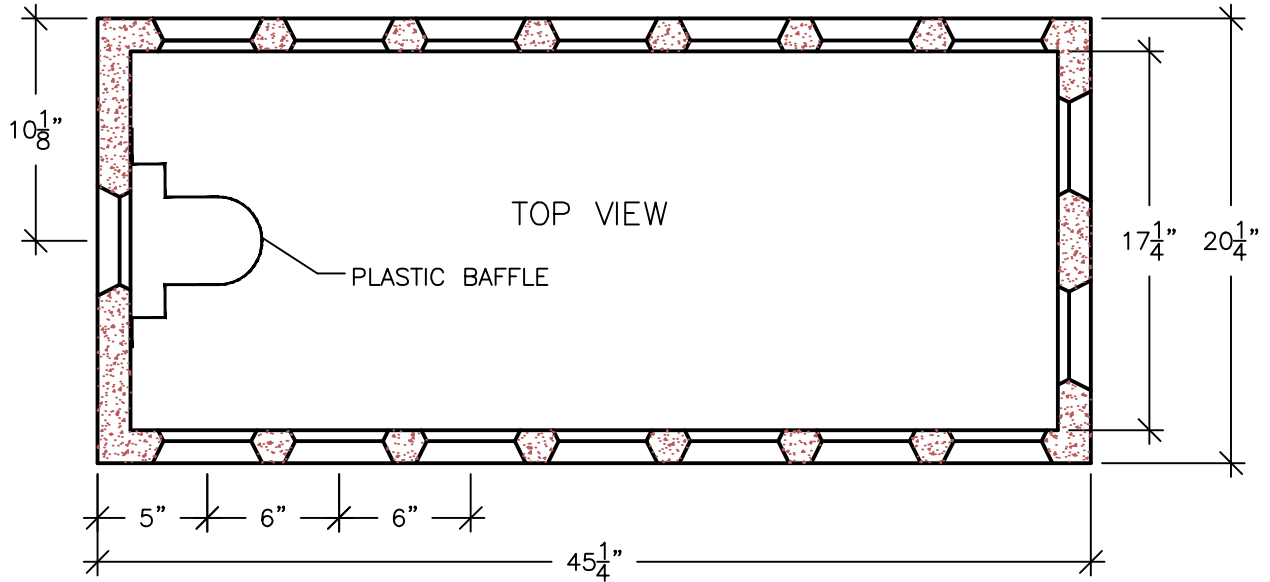


**Precast Concrete & Accessories**

58 Prospect Street, Auburn, N.Y. 13021

315 252 7214 1 800 479 6335

Fax 315 252 7859



**SPECIFICATIONS:**  
 MEETS ASTM A-615  
 5000 PSI CONCRETE MEETS  
 ASTM C-890  
 MEETS ASTM C 478

**WEIGHT:**  
 • BODY: 330 LBS. [.17 TON]  
 • COVER: 313 LBS. [.16 TON]

**16 OUTLET - DISTRIBUTION BOX**

DRAWN BY: LWK

FILE NAME:  
DB-16

DATE:  
10/8/02

SCALE:  
1 1/2" = 1' 0"

SHEET:  
DB-4