

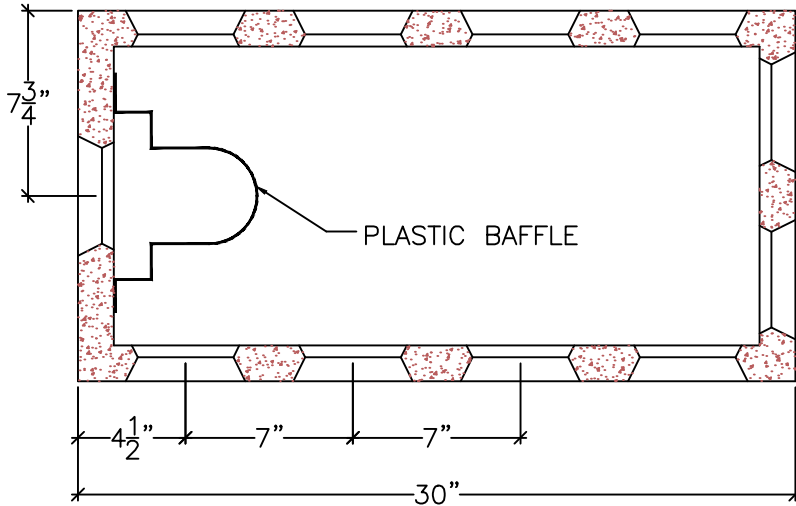


Precast Concrete & Accessories

58 Prospect Street, Auburn, N.Y. 13021

315 252 7214 1 800 479 6335

Fax 315 252 7859



TOP VIEW

SPECIFICATIONS:

MEETS ASTM A-615

5000 PSI CONCRETE MEETS

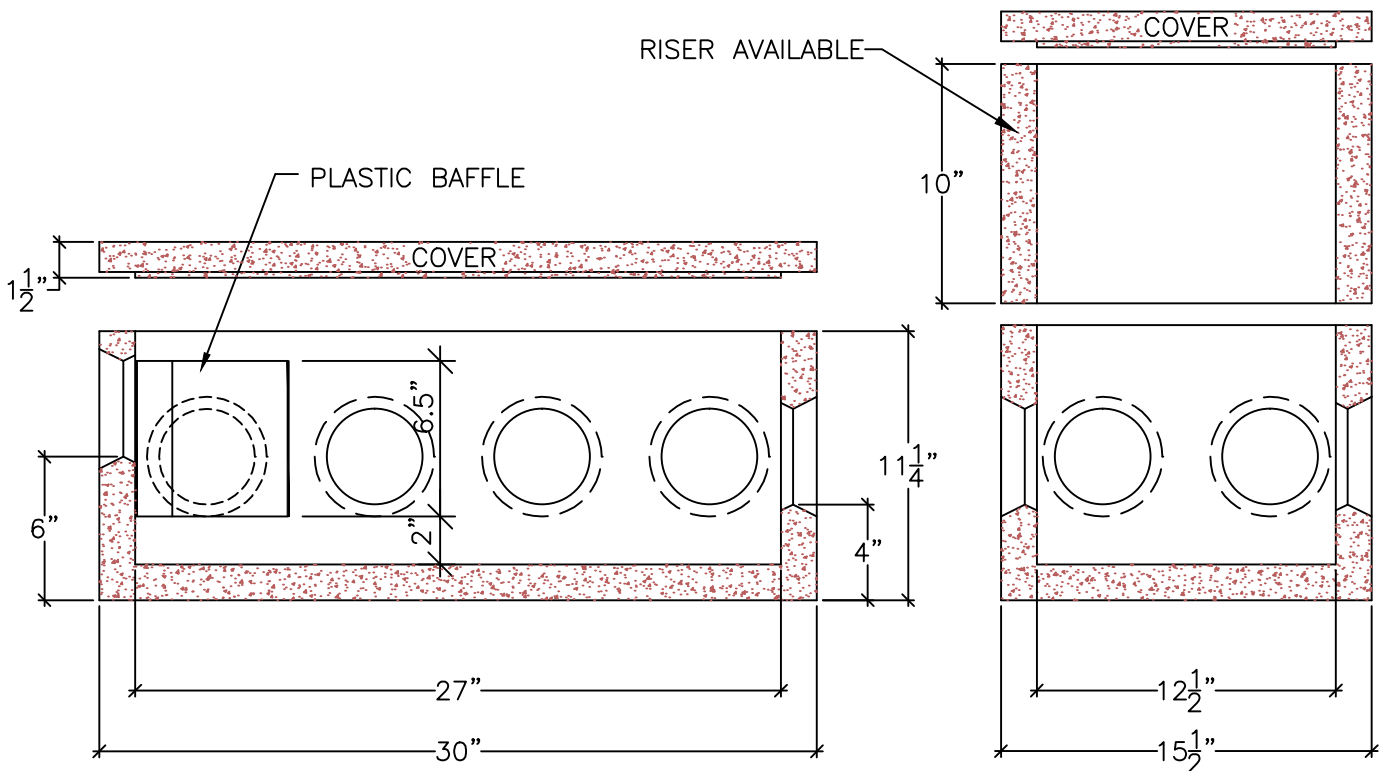
ASTM C-890

MEETS ASTM C 478

WEIGHT:

• BODY: 165 LBS. [.08 TON]

• COVER: 60 LBS. [.11 TON]



SIDE VIEW

END VIEW

10 OUTLET - DISTRIBUTION BOX

DRAWN BY: LWK

FILE NAME:
DB-10

DATE:
12/2/03

SCALE:
1 1/2" = 1' 0"

SHEET:
DB-3