



Precast Concrete & Accessories

58 Prospect Street, Auburn, N.Y. 13021

315 252 7214 1 800 479 6335

Fax 315 252 7859

SPECIFICATIONS:

MEETS ASTM A-615

5000 PSI CONCRETE MEETS

ASTM C-890

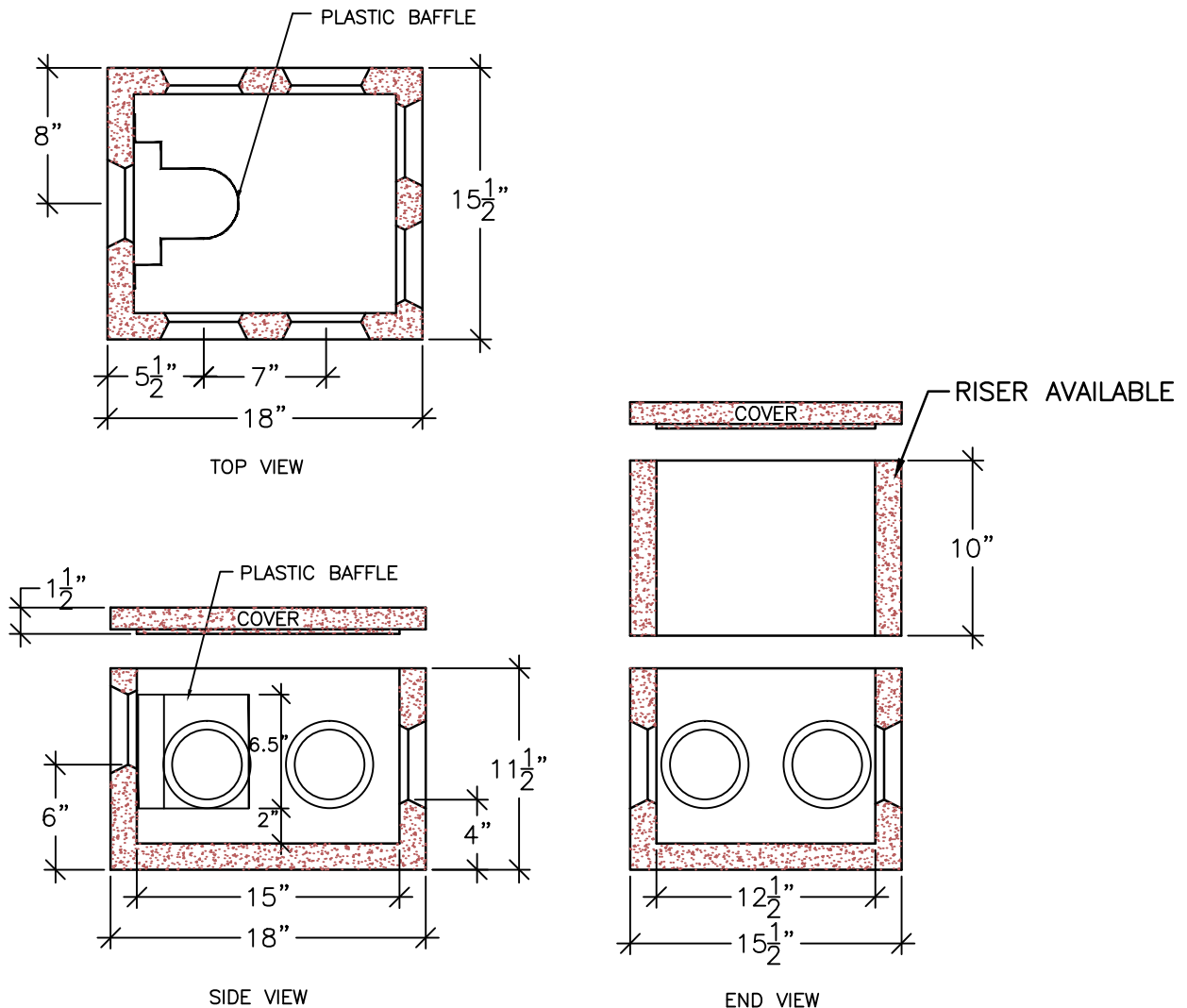
MEETS ASTM C 478

WEIGHT:

• BODY: 104.2 LBS. [.06 TON]

• COVER: 35 LBS. [.02 TON]

• RISER: 78 LBS. [.04 TON]



6 OUTLET - DISTRIBUTION BOX

DRAWN BY: LWK

FILE NAME:
DB-06

DATE:
8/5/02

SCALE:
1 1/2" = 1' 0"

SHEET:
DB-2