

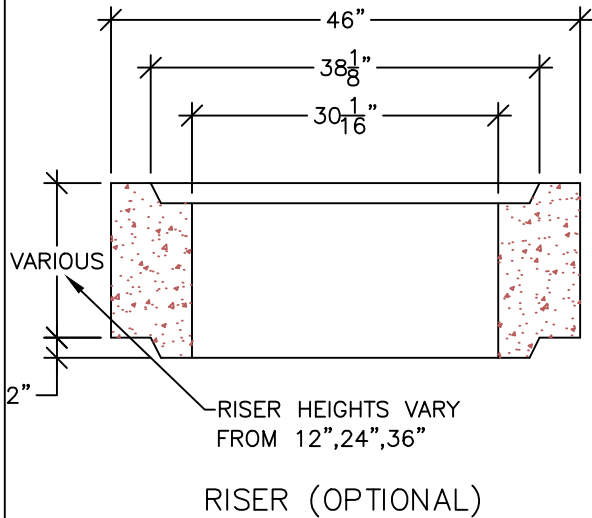
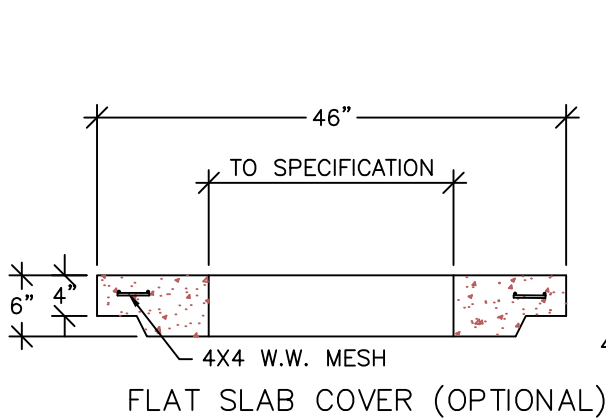


Precast Concrete & Accessories

58 Prospect Street, Auburn, N.Y. 13021

315 252 7214 1 800 479 6335

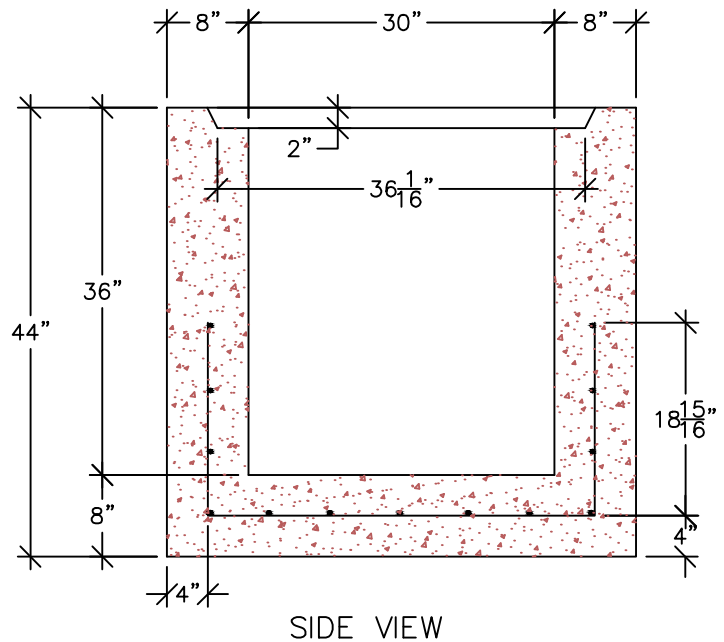
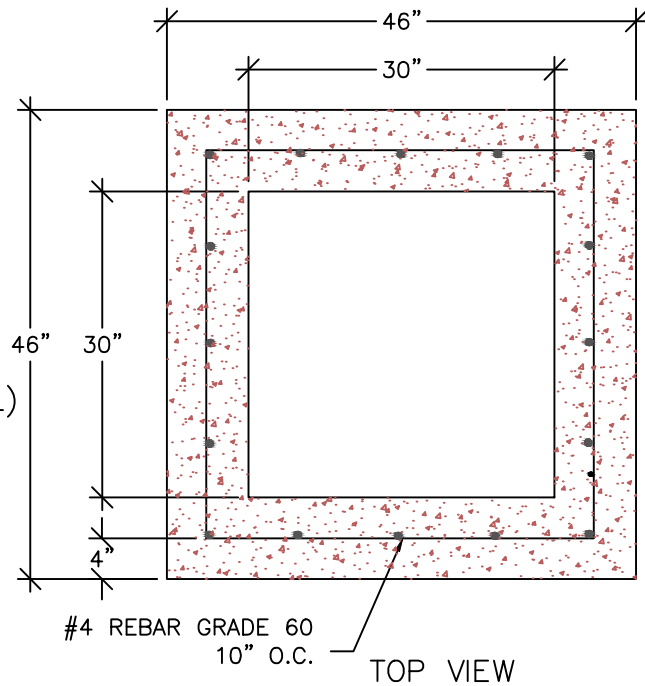
Fax 315 252 7859



NOTE:
 MACHINE CORED TO RECEIVE SPECIFIED PIPE.
 RUBBER BOOT MEETS ASTM C923 WHEN REQUIRED.

SPECIFICATIONS:
 MEETS OR EXCEEDS 5000 PSI CONCRETE
 MEETS ASTM C-890
 AIR ENTRAINMENT 6%
 STEEL MEETS ASTM 615
 H-20 LOADING

WEIGHT:
 BASE UNIT= 5198LBS.(2.6 TON)
 12" RISER= 1249LBS.(.62 TON)
 24" RISER= 2499LBS.(1.25 TON)
 36" RISER= 3748LBS.(1.87 TON)



CATCH BASIN I.D. 30" X 30"

DRAWN BY: LWK

FILE NAME:
CB-3030SOLID

DATE:
9/30/03

SCALE:
3/4= 1' 0"

SHEET:
CB-7