

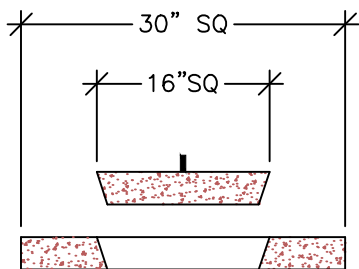


# Precast Concrete & Accessories

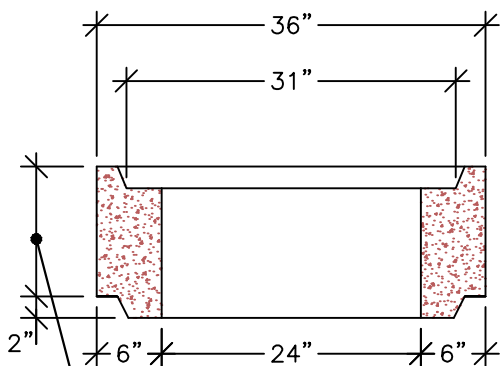
58 Prospect Street, Auburn, N.Y. 13021

315 252 7214 1 800 479 6335

Fax 315 252 7859



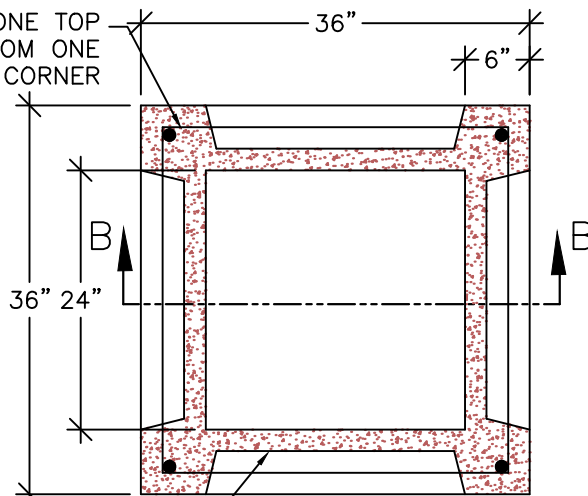
OPTIONAL COVER



RISER HEIGHTS VARY FROM 6", 12", 24", 36", 48"

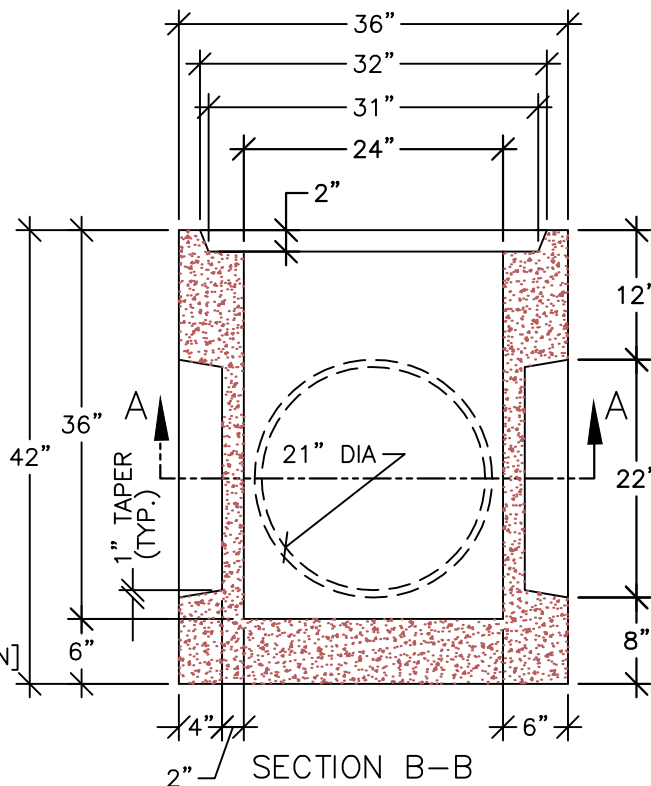
RISER (OPTIONAL)

#4 REBAR ONE TOP ONE BOTTOM ONE IN EACH CORNER



KNOCK OUT (TYP x 4)

SECTION A-A



SECTION B-B

**SPECIFICATIONS:**

MEETS OR EXCEEDS 5000 PSI CONCRETE (MEETS ASTM 890)

AIR ENTRAINMENT BETWEEN 4 TO 5%

STEEL MEETS ASTM A615 GRADE 60

H-20 LOADING

**WEIGHT:**

• 2390 LBS. [1.2 TON]

• RISER—PER FOOT OF RISE: 740 LBS. [.37 TON]

**GALLONS:**

• 2.49 GALS PER INCH OF RISE

## CATCH BASIN 24" X 24" X 36" WITH KNOCKOUTS

DRAWN BY: LWK

FILE NAME:  
CB-2436KO

DATE:  
10/15/02

SCALE:  
N.T.S.

SHEET:  
CB-4