



Precast Concrete & Accessories

58 Prospect Street, Auburn, N.Y. 13021

315 252 7214 1 800 479 6335

Fax 315 252 7859

SPECIFICATIONS:

MEETS OR EXCEEDS 5000 PSI CONCRETE (MEETS ASTM 890)

AIR ENTRAINMENT BETWEEN 4 TO 6%

STEEL MEETS ASTM A615 GRADE 60

H-20 LOADING

WEIGHT:

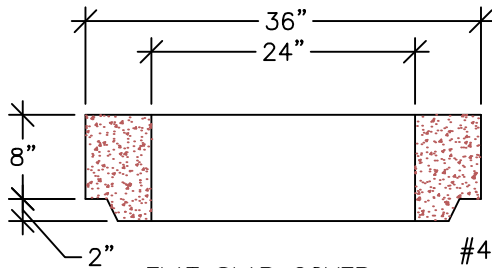
• PER FOOT OF RISE: 740 LBS. [.37 TON]

• BASE: 666 LBS. [.33 TON]

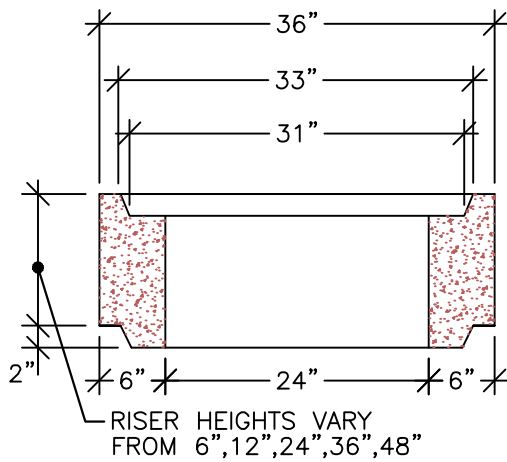
• COVER: 666 LBS. [.33 TON]

GALLONS:

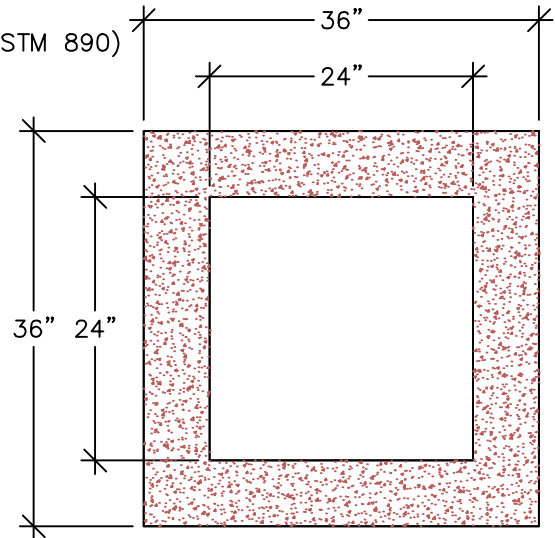
• 2.49 GALS PER INCH OF RISE



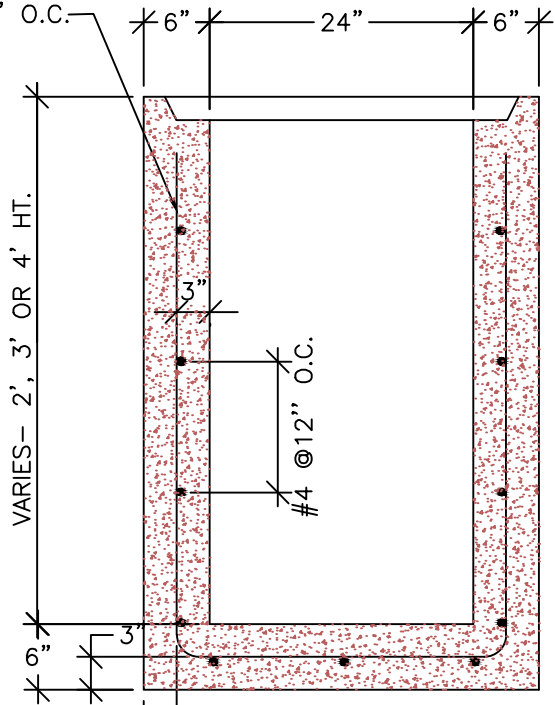
FLAT SLAB COVER
w/24" ACCESS
(OPTIONAL)
#4 REBAR GRADE 60
12" O.C.



RISER (OPTIONAL)



TOP VIEW



SIDE VIEW

CATCH BASIN I.D. 24" X 24" WITHOUT KNOCKOUTS

DRAWN BY: LWK

FILE NAME:
CB-2424SOLID

DATE:
10/15/02

SCALE:
N.T.S.

SHEET:
CB-6