



# Precast Concrete & Accessories

58 Prospect Street, Auburn, N.Y. 13021

315 252 7214 1 800 479 6335

Fax 315 252 7859

**SPECIFICATIONS:**

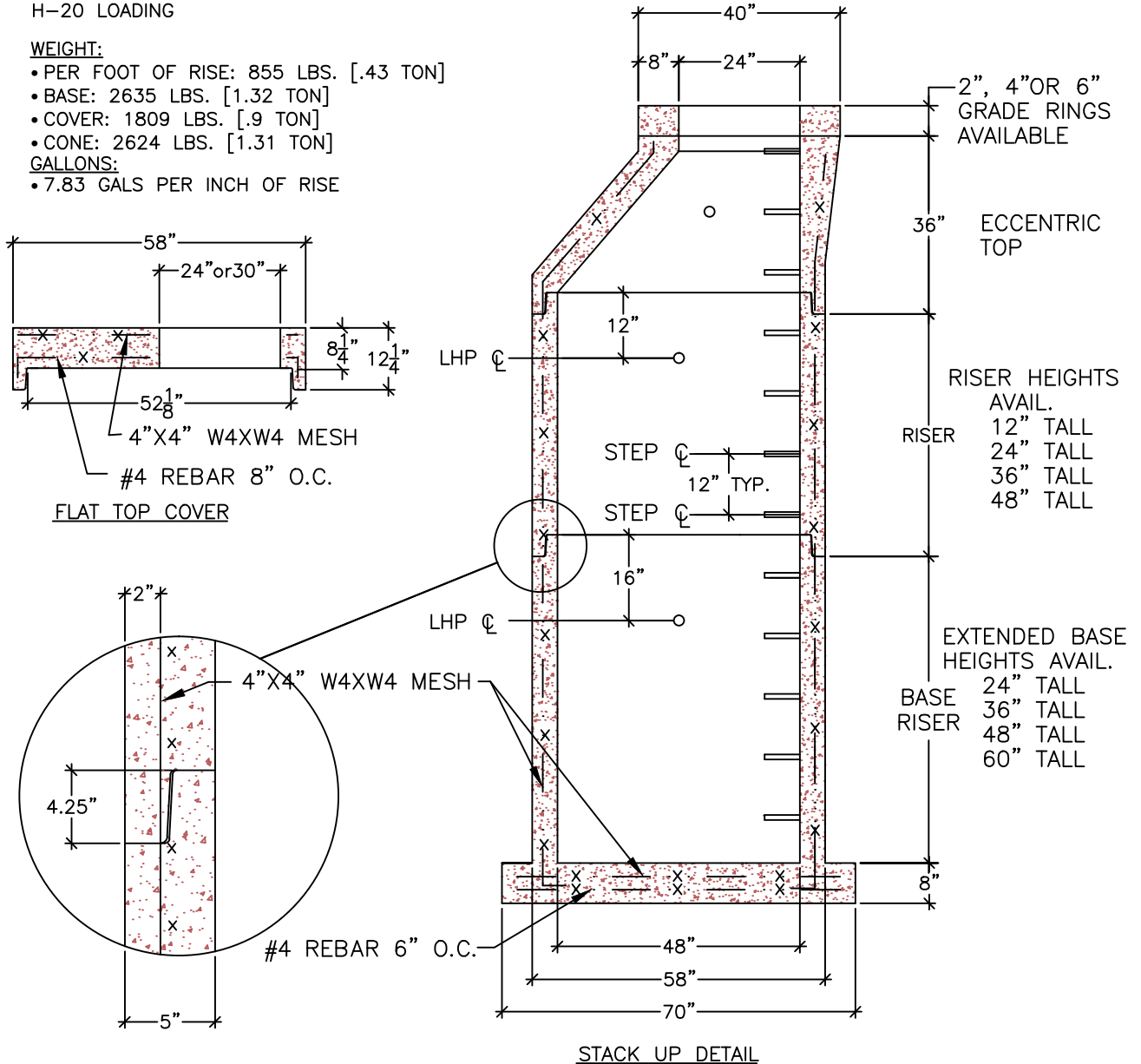
- MIN. 5000 PSI CONCRETE MEETS ASTM C-890
- STEEL MEETS ASTM C-615
- POLYPROPYLENE STEPS MEET ASTM C-478-94
- MEETS ASTM C 478
- BUTYL ROPE SEAL
- H-20 LOADING

**WEIGHT:**

- PER FOOT OF RISE: 855 LBS. [.43 TON]
- BASE: 2635 LBS. [1.32 TON]
- COVER: 1809 LBS. [.9 TON]
- CONE: 2624 LBS. [1.31 TON]

**GALLONS:**

- 7.83 GALS PER INCH OF RISE



## 48" I.D. MANHOLE

DRAWN BY: LWK

FILE NAME:  
MH-48

DATE:  
10/14/02

SCALE:  
3/8= 1' 0"

SHEET:  
MH-2